

[Click in Table of Contents to go directly to each section.](#)



CHAMPION AEROSPACE, INC.

**AVIATION CATALOG
AV-14**

REVISED JANUARY 2007

**Spark Plugs
Oil Filters
Harnesses
Exciters
Leads
Igniters**



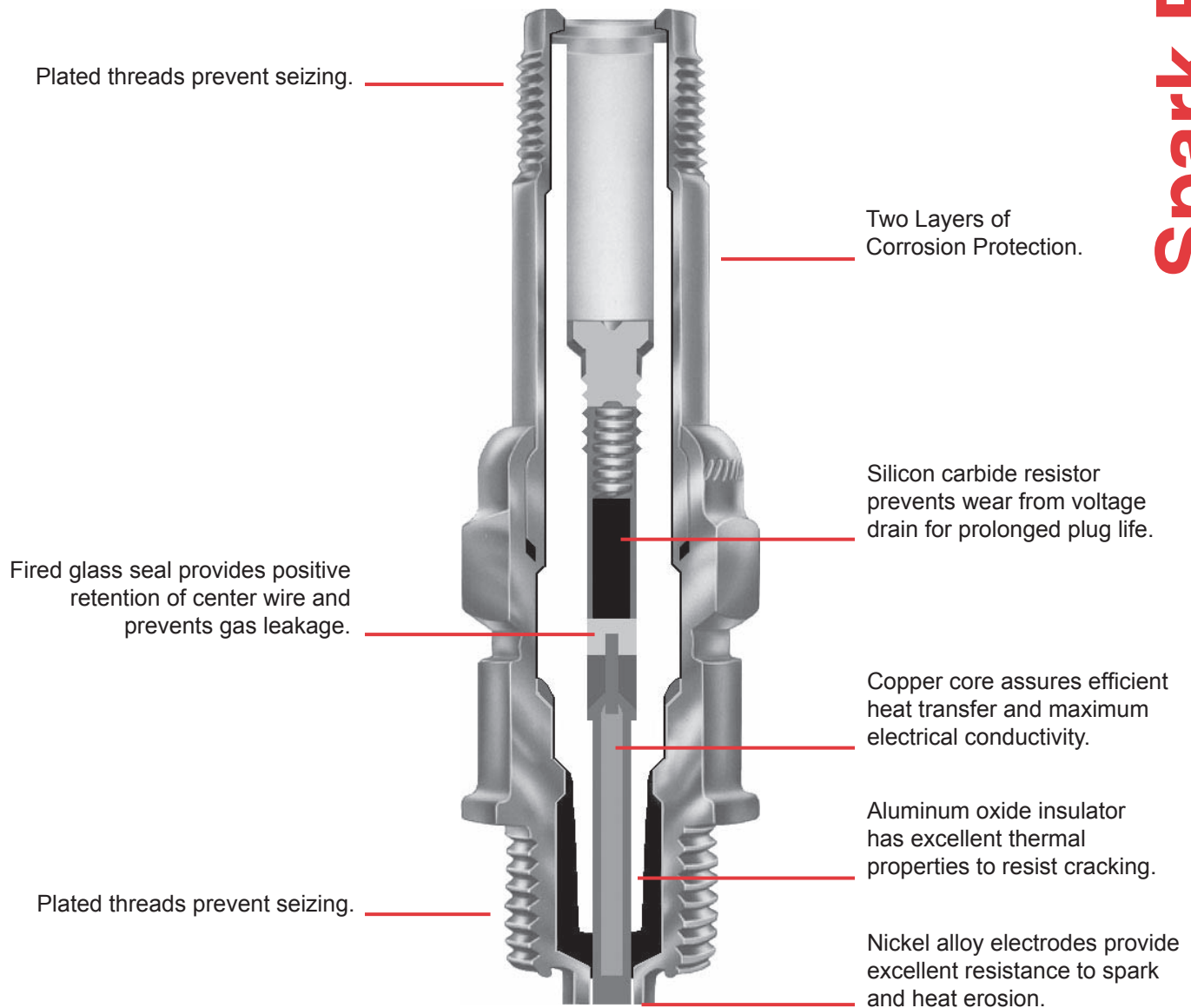
Table of Contents

Click in Table of Contents to go directly to each section.

SECTION	PAGE
Spark Plugs	1
Product Features.....	1
Spark Plug Type Designation System.....	2
Spark Plug Types and Specifications.....	3
Spark Plug by Popular Aircraft and Engines.....	4-12
Spark Plug Application by Engine Manufacturer.....	13-16
Other U. S. Aircraft and Piston Engines.....	17-18
U. S. Helicopter and Piston Engines.....	18-19
International Aircraft Using U. S. Piston Engines.....	19-22
Harnesses	23
Aircraft Engine Applications.....	24-28
Oil Filters	29
Product Features.....	29
Full-Flow Spin-On Filters.....	30
Typical Spin-On Filters.....	31
Aircraft and Engine Applications.....	32-34
Dimensional Data.....	34
Turbine Exciters	35
Product Features.....	35
Aircraft Engine Applications.....	36
Turbine Ignition Leads	37
Product Features.....	37
Aircraft Engine Applications.....	38-41
Turbine Engine Applications (APU).....	41-42
Turbine Igniters	43
Product Features.....	43
Design Features.....	43
Basic Igniter Types.....	44
Aircraft Engine Applications.....	45-48
Turbine Engine Applications (APU).....	48-50
Turbine Engine Applications (GPU).....	50
Service Tools & Equipment	51
Index.....	51
Special Tools and Equipment.....	52-56
Current/Discontinued Aviation Spark Plugs.....	56
Champion Aerospace, Inc. Products Warranty.....	57

Product Design

Spark Plugs



Advanced-engineered Champion Aerospace spark plugs are designed for the critical difference in performance, far beyond the ordinary. Champion Aerospace spark plugs stand up to high temperatures, pressures, and lead deposits, with a performance second to none. When you're up in the air, count on quality Champion spark plugs.

The #1 Choice Worldwide - OEM for all U. S. Piston Engines.

Champion spark plugs are a product of Champion's commitment to quality and advanced technology, a commitment that has made Champion spark plugs the #1 choice of engine manufacturers, maintenance technicians and pilots around the world.

Choose Iridium "S" spark plugs for high-performance engines.

Longer-lasting than platinum spark plugs, Iridium "S" plugs resist lead attack and provide better scavenging than standard platinum plug designs. For exceptional performance, even under the most demanding conditions.





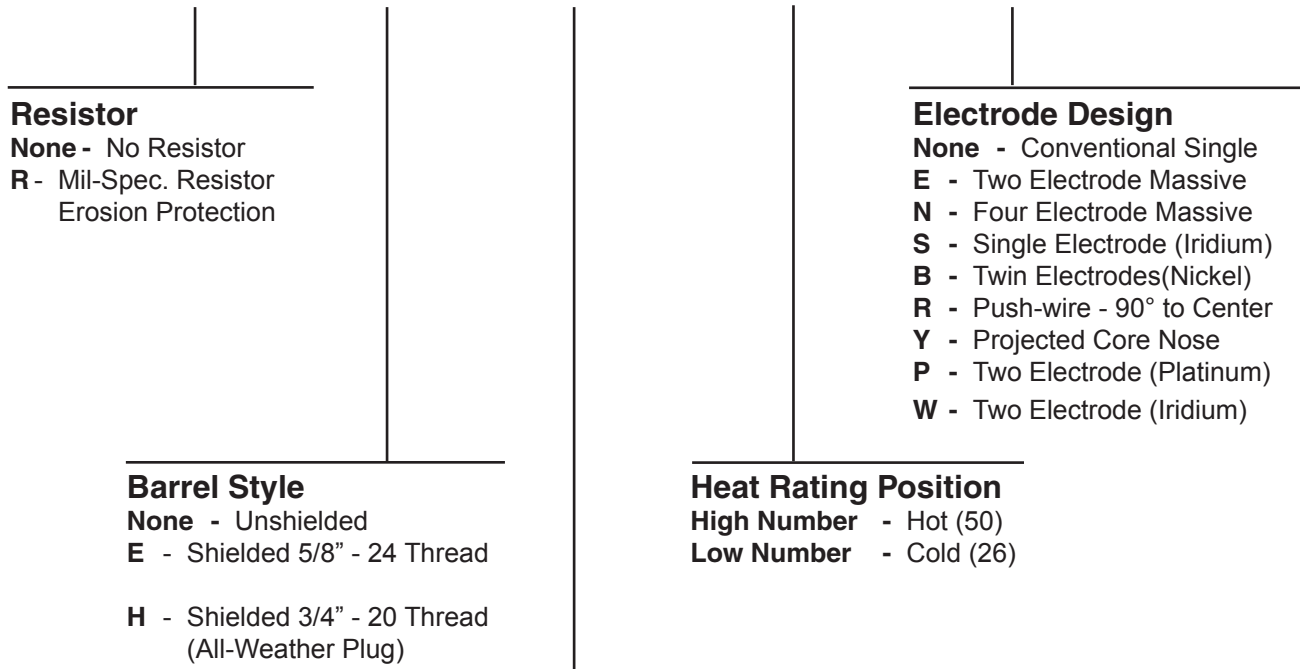
Spark Plugs

Spark Plug Type Designation System

All Champion Aerospace spark plugs are identified by type designations as indicated on the following spark plug number and symbol chart. The symbol is composed of a rating position number, together with prefix and suffix numbers to indicate major plug design characteristics.

Typical Spark Plug Number with Symbol Explanation

R H B 37 E



Mounting Thread	Reach	Hex Size
B - 18 mm	13/16" (2.06 cm)	7/8" (2.22 cm)
M - 18 mm	1/2" (1.27 cm)	7/8" (2.22 cm)
J - 14 mm	3/8" (.095 cm)	13/16" (2.06 cm)
L - 14 mm	1/2" (1.27 cm)	13/16" (2.06 cm)
U - 18 mm	1-1/8" (2.85 cm)	7/8" (2.22 cm)
N - 14 mm	3/4" (1.90 cm)	13/16" (2.06 cm)

Shielded Aviation Spark Plug

Shielded Aviation Spark Plugs are manufactured under military specification MIL-S-7886B.

Outside Gaskets

Champion Part No.	Size	Military Specification
M-674	18 mm Solid Copper	AN4027-1
N-673	14 mm Solid Copper	AN4027-2

Spark Plugs



Types and Specifications

Plug Type	12 Pack Shipping Wt.	Thread Size	Reach	Shielding Thread	Standard Electrode	Fine Wire Electrode	Plug Gap
L34R	1 lb. - 13 oz. 822kg	14mm	1/2"/1.27cm	None	Push Wire		.018"-.023"/0.46-0.58mm
REJ38	2 lb. - 13 oz. 1.276 kg	14mm	3/8"/0.95cm	5/8" - 24	Single		.018"-.023"/0.46-0.58mm
REL37B	2 lb. - 13 oz. 1.276 kg	14mm	1/2"/1.27cm	5/8" - 24	Twin Electrode		.016"-.021"/0.41-0.53mm
REN30S	2 lbs. - 6 oz. 1.077 kg	14mm	3/4"/1.90cm	5/8" - 24	Single Fine Wire	Iridium	.016"-.021"/0.41-0.53mm
M41E	2 lbs. - 6 oz. 1.077 kg	18mm	1/2"/1.27cm	None	Two Prong		.016"-.021"/0.41-0.53mm
REM40E REM38E	3 lbs. - 4 oz. 1.474 kg	18mm	1/2"/1.27cm	5/8" - 24	Two Prong		.016"-.021"/0.41-0.53mm
REM38S	3 lbs. - 4 oz. 1.474 kg	18mm	1/2"/1.27cm	5/8" - 24	Single Fine Wire	Iridium	.016"-.021"/0.41-0.53mm
REM37BY	3 lbs. - 4 oz. 1.474 kg	18mm	1/2"/1.27cm	5/8" - 24	Twin Electrode		.016"-.021"/0.41-0.53mm
RHM40E RHM38E	3 lbs. - 5 oz. 1.503 kg	18mm	1/2"/1.27cm	3/4" - 20	Two Prong		.016"-.021"/0.41-0.53mm
RHM38S	3 lbs. - 5 oz. 1.503 kg	18mm	1/2"/1.27cm	3/4" - 20	Single Fine Wire	Iridium	.016"-.021"/0.41-0.53mm
REB37E REB32E	3 lbs. - 4 oz. 1.474 kg	18mm	13/16"/2.06cm	5/8" - 24	Two Prong		.016"-.021"/0.41-0.53mm
RHB37E RHB32E RHB29E	3 lbs. - 6 oz. 1.531 kg	18mm	13/16"/2.06cm	3/4" - 20	Two Prong		.016"-.021"/0.41-0.53mm
REB36S	3 lbs. - 4 oz. 1.474 kg	18mm	13/16"/2.06cm	5/8" - 24	Single Fine Wire	Iridium	.016"-.021"/0.41-0.53mm
RHB36S RHB32S RHB27S	3 lbs. - 6 oz. 1.531 kg	18mm	13/16"/2.06cm	3/4" - 20	Single Fine Wire	Iridium	.016"-.021"/0.41-0.53mm
RHU32S	3 lbs. - 6 oz. 1.531 kg	18mm	1-1/8"/2.85cm	3/4" - 20	Single Fine Wire	Iridium	.016"-.021"/0.41-0.53mm
RHU32E RHU27E	3 lbs. - 6 oz. 1.531 kg	18mm	1-1/8"/2.85cm	3/4" - 20	Two Prong		.016"-.021"/0.41-0.53mm
RVL38S	2 lbs. - 13 oz. 1.276kg	14 mm	1/2"/1.27cm	M18 x 1	Single Finewire	Iridium	.016"-.021"/0.41-0.53mm

PAINT CODE COLOR: All Standard Electrode - Silver All Iridium "S" Electrode - Gold



Spark Plugs

Popular Aircraft and Engines

U.S. Aircraft/Engine Specifications	Plugs Per Eng.	Massive		Fine Wire		U.S. Aircraft/Engine Specifications	Plugs Per Eng.	Massive		Fine Wire	
		Shielded						Shielded			
		3/4"-20	5/8"-24	3/4"-20	5/8"-24			3/4"-20	5/8"-24	3/4"-20	5/8"-24
AERONCA						Thrush S2R, S2D					
7BC						P&W R-1340 (600 hp)	18	RHM40E	REM37BY	RHM38S	REM38S
Cont C85-12 (85 hp)	8	RHM40E	REM40E	RHM38S	REM38S	Thrush S2R-800					
7CC						Wright R-1300 (800 hp)	14	RHB37E	REB37E	RHB36S	REB36S
Cont C90-12F (95 hp)	8	RHM40E	REM40E	RHM38S	REM38S	Schweizer AG-Cat G164					
15AC						Cont W-670 (230 hp)	14	RHM40E	REM40E	RHM38S	REM38S
Cont C145 (145 hp)	12	RHM40E	REM40E	RHM38S	REM38S	Jacobs R755 (275 hp)	14	RHM40E	REM40E	RHM38S	REM38S
S15AC						Schweizer Super AG-Cat G164 A thru C					
Frank 6A4-165-B (165 hp)	12		REJ38			P&W R-985 (450 hp)	18	RHM40E	REM37BY	RHM38S	REM38S
11AC Chief						P&W R 1340 (600 hp)	18	RHM40E	REM40E	RHM38S	REM38S
Cont A-65-8 (65 hp)	8	RHM40E	REM40E			Weatherly 620					
11CC Super Chief						P&W R-985 (450 hp)	18	RHM40E	REM37BY	RHM38S	REM38S
Cont C85-12 (85 hp)	8	RHM40E	REM40E	RHM38S	REM38S	AMERICAN GENERAL AIRCRAFT CORP. AG5B					
AEROSPATIALE (Socata)						LycO O-360-A4K (180 hp)	8	RHM40E	REM37BY	RHM38S	REM38S
TB9 Tampico						ARCTIC Tern S1B2					
LycO O-320-D2A (160 hp)	8	RHM40E	REM40E	RHM38S	REM38S	LycO O-320-A2B (150 hp)	8	RHM40E	REM37BY	RHM38S	REM38S
TB10 Tobago						BEECH D-17S					
LycO O-360-A1AD (180 hp)	8	RHM40E	REM40E	RHM38S	REM38S	P&W R-985-AN (450 hp)	18	RHM40E	REM37BY	RHM38S	REM38S
TB20 Trinidad						D18S, E18S, G18S, H18S, AT11					
LycO IO-540-C4D5D (200 hp)	12	RHM40E	REM40E	RHM38S	REM38S	2/P&W R-985-AN (450 hp)	18	RHM40E	REM40E	RHM38S	REM38S
TB21 Trinidad TC						Bonanza E33					
LycO TIO-540-ABIAD (250 hp)	12	RHB37E		RHB36S		Cont IO-470-K (225 hp)	12	RHM40E	REM40E	RHM38S	REM38S
TB30						E33A, F33A, F33B, F33C					
LycO AEIO-540-L1B5D (300 hp)	12	RHM38E	REM38E	RHM38S	REM38S	Cont IO-520-B (285 hp)	12	RHB32E		RHB36S	RHB32S
AG AIRCRAFT (Misc)						Bonanza A35, B35					
AG Commander A-9 Sparrow						Cont E-185 (185 hp)	12	RHM40E	REM40E	RHM38S	REM38S
LycO O-540-B2B5 (235 hp)	12	RHM40E	REM40E	RHM38S	REM38S	C35, D35, E35, F35					
Air Tractor AT-301/AT301A/AT401/AT501						Cont E-185-11 (205 hp)	12	RHM40E	REM40E	RHM38S	REM38S
P&W R-1340 (600 hp)	18	RHM40E	REM40E	RHM38S	REM38S	G35					
Bull Thrush S2R-R1820						Cont E-225-8 (225 hp)	12	RHM40E	REM40E	RHM38S	REM38S
Wright R 1820 (1200 hp)	18	RHB37E	REB37E	RHB36S	REB36S	H35					
Eagle 220						Cont O-470-G (240 hp)	12	RHM40E	REM40E	RHM38S	REM38S
Cont W-670 (220 hp)	14	RHM40E	REM40E	RHM38S	REM38S	J35, K35, M35					
Eagle 300						Cont IO-470-C (250 hp)	12	RHM40E	REM40E	RHM38S	REM38S
LycO IO-540-M1B5D (300 hp)	18	RHB32E	REB32E	RHB32S	REB36S	N35, P35, G33					
Pezetel PZLM-18A Dromader						Cont IO-470-N (260 hp)	12	RHB32E		RHB36S	RHB32S
PZL-ASZ-621R (1000 hp)	18	RHB37E	REB37E	RHB36S	REB36S	S-35, V-35, V35A, V35B					
Pezetel M-21 Dromader Mini						Cont IO-520-B (285 hp)	12	RHB32E		RHB36S	RHB32S
PZL-3S (600 hp)	14	RHB37E	REB37E	RHB36S	REB36S	V35TC, V35A-TC, V35B-TC					
Super A9 Quail						Cont TSIO-520-D (285 hp)	12	RHB32E		RHB36S	RHB32S
LycO IO-540 (290 hp)	12	RHM38E	REM38E	RHM38S	REM38S	36, A36					
B1A Snipe						Cont IO-520-B (285 hp)	12	RHB32E		RHB36S	RHB32S
P&W R985 (450 hp)	18	RHM40E	REM40E	RHM38S	REM38S	B36TC					
B1A Snipe						Cont TSIO-520-UB (300 hp)	12	RHB32E		RHB36S	RHB32S
LycO IO-720 (400 hp)	16	RHM38E	REM38E	RHM38S	REM38S	36B, 550					
S2A						Cont IO-550-B (300 hp)	12	RHB32E		RHB36S	RHB32S
Cont W-670 (220 hp)	14	RHM40E	REM40E	RHM38S	REM38S	Twin Bonanza B50					
S2B, S2C, 600-S2C						2/LycO GO-435-C (260 hp)	12	RHM40E	REM40E	RHM38S	REM38S
P&W R985 (450 hp)	18	RHM40E	REM40E	RHM38S	REM38S	C50					
R-1340 (600 hp)	18	RHM40E	REM40E	RHM38S	REM38S	2/LycO GO-480-F (275 hp)	12	RHM38E	REM38E	RHM38S	REM38S
						D50, D50A					
						1/2" Rch. Cyl. 2/LycO GO-480-C, G (295 hp)	12	RHM38E	REM38E	RHM38S	REM38S
						D50, D50A					
						13/16" Rch. Cyl. 2/LycO GO-480-G (295 hp)	12	RHB37E		RHB36S	

Most generally used plugs shown in red type. For Unshielded Spark Plugs - see pgs. 13-16. Plug Listings taken from FAA Approved Data. Please consult your aviation distributor for availability on these items.

4 Contact your preferred distributor for Champion factory FAA certified servicing of your spark plugs.

Spark Plugs



Popular Aircraft and Engines

U.S. Aircraft/Engine Specifications	Plugs Per Eng.	Massive		Fine Wire		U.S. Aircraft/Engine Specifications	Plugs Per Eng.	Massive		Fine Wire	
		Shielded						Shielded			
		3/4"-20	5/8"-24	3/4"-20	5/8"-24			3/4"-20	5/8"-24	3/4"-20	5/8"-24
BEECH (Cont'd) E50, F50 1/2" Rch. Cyl. 2/Lyco GSO-480-A, -B (340 hp)	12	RHM38E	REM38E	RHM38S	REM38S	Musketeer A23, 23 Custom III A23A Cont IO-346-A (165 hp)	8	RHM40E			RHM38S
E50, F50 13/16" Rch. Cyl. 2/Lyco GSO-480-A, -B (340 hp)	12	RHB37E		RHB36S		24 Super III, A24, A24R, B24R, C-24R Sierra Lyco IO-360 (200 hp)	8	RHM38E	REM38E	RHM38S	REM38S
G50, H50, J50 1/2" Rch. Cyl. 2/Lyco IGSO-480-A (340 hp)	12	RHM38E	REM38E	RHM38S	REM38S	Duchess 76 2/Lyco. IO-360-E1A6D & O-360-E1A6D (180 hp)	8	RHM40E	REM40E	RHM38S	REM38S
G50, H50, J50 3/16" Rch. Cyl. 2/Lyco IGSO-480-A (340 hp)	12	RHB37E		RHB36S		Skipper 77 Lyco O-235-L2C (115 hp)	8	RHM40E	REM40E	RHM38S	REM38S
Travel Air 95, B95 2/Lyco O-360-A (180 hp)	8	RHM40E	REM40E	RHM38S	REM38S	BELL Utility 47G, 47H, 47H-1 Frank 6V4-200 (200 hp)	12		REL37B		
Travel Air B95A, D95A, E95 2/Lyco IO-360-B (180 hp)	8	RHM40E	REM40E	RHM38S	REM38S	47G-2, 47G-2A, 47G-5, 47J, 47K 1/2" Rch. Cyl. Lyco VO-435 (260 hp)	12	RHM40E	REM40E	RHM38S	REM38S
Debonair B33, A33 Cont IO-470-J (225 hp)	12	RHM40E	REM40E	RHM38S	REM38S	47G-2, 47G-2A, 47G-5, 47J, 47K 13/16" Rch. Cyl. Lyco VO-435 (260 hp)	12	RHB37E		RHB36S	
Debonair B33, C33, D33, E33B Cont IO-470-K (225 hp)	12	RHM40E	REM40E	RHM38S	REM38S	Ranger 47J-2, 47J-2A Lyco VO-540-B (305 hp)	12	RHM38E	REM38E	RHM38S	REM38S
Debonair C33A, E33A, E33C Cont IO-520-B (285 hp)	12	RHB32E		RHB36S		Bellarus 47H, 47H-1 Frank 6V4-200-C32 (200 hp)	12		REL37B		
Baron 55, A55, B55, B55B 2/Cont IO-470-L (260 hp)	12	RHB32E		RHB36S		Utility 47G-3B 1/2" Rch. Cyl. Lyco TVO-435-A (260 hp)	12	RHM38E	REM38E	RHM38S	REM38S
Baron 55, A55, B55, E55 2/Cont IO-520-C (285 hp)	12	RHB32E		RHB36S		Utility 47G-3B 13/16" Rch. Cyl. Lyco TVO-435-A (260 hp)	12	RHB37E		RHB36S	
Baron 56TC 2/Lyco TIO-541-E1B4 (380 hp)	12	RHB37E		RHB36S		Utility 47G-3B1, -3B2 Lyco TVO-435-B, -C (270/280 hp)	12	RHB37E		RHB36S	
Baron 58, 58A 2/Cont IO-520-C, -CB (285 hp)	12	RHB32E		RHB36S		Utility 47G-3 Frank 6VS-335 (225 hp)	12	RHB32E	REB37E	RHB36S	REB36S
Baron 58P, 58TC 2/Cont TIO-520-L, -WB (310/325 hp)	12	RHB32E		RHB36S		Utility 47G-4, 47G-4A Lyco VO-540-B1B (305 hp)	12	RHM38E	REM38E	RHM38S	REM38S
Baron 58C 2/Cont IO-550C (300 hp)	12	RHB32E		RHB36S		Utility 47G-5, 47G-5A 13/16" Rch. Cyl. Lyco VO-435-B1A (265 hp)	12	RHB37E		RHB36S	
Duke 60, A60, B60 2/Lyco TIO-541-E1A4 (380 hp)	12	RHB37E		RHB36S		BELLANCA 14-13 Series Frank 6A4-A150 (150 hp) Frank 6A4-165 (165 hp)	12		REJ38		
Queen Air 65, 70 1/2" Rch. Cyl. 2/Lyco IGSO-480-A (340 hp)	12	RHM38E	REM38E	RHM38S		14-19 Lyco O-435-A (190 hp)	12	RHM40E	REM40E	RHM38S	REM38S
Queen Air 65, 70 13/16" Rch. Cyl. 2/Lyco IGSO-480-A (340 hp)	12	RHB37E		RHB36S		14-19-3, 3A, 260B Cont IO-470-F (260 hp)	12	RHB32E		RHB36S	
Queen Air 80, 88, B80 2/Lyco IGSO-540-A (380 hp)	12	RHB37E		RHB36S		17-30, 17-30A Cont IO-520-D, -K (300 hp)	12	RHB32E		RHB36S	
Musketeer, Sport III, B19 Sport Lyco O-320-A, -E (150 hp)	8	RHM40E	REM37BY	RHM38S	REM38S	17-31, 17-31A Lyco IO-540-G, K Series (290/300 hp)	12	RHB37E	REM38E	RHM32S	REM38S
Musketeer 23 Lyco O-320-D2B (160 hp)	8	RHM40E	REM37BY	RHM38S	REM38S			RHB32E		RHM38S	REM38S
Musketeer A23-19A C23 Sundowner Lyco O-360-A (180 hp)	8	RHM40E	REM40E	RHM38S	REM38S			RHM38E		RHM38S	REM38S

Most generally used plugs shown in red type. For Unshielded Spark Plugs - see pgs. 13-16. Plug Listings taken from FAA Approved Data. Please consult your aviation distributor for availability on these items.

Contact your preferred distributor for Champion factory FAA certified servicing of your spark plugs. 5



Spark Plugs

Popular Aircraft and Engines

U.S. Aircraft/Engine Specifications	Plugs Per Eng.	Massive		Fine Wire		U.S. Aircraft/Engine Specifications	Plugs Per Eng.	Massive		Fine Wire	
		Shielded						Shielded			
		3/4"-20	5/8"-24	3/4"-20	5/8"-24			3/4"-20	5/8"-24	3/4"-20	5/8"-24
BELLANCA (Cont'd) 17-31TC, 17-31ATC Lyco IO-540-G Series, K1E5 (290/300 hp)	12	RHB37E		RHB36S		CESSNA 120, 140 Cont C-85 (85 hp) Cont C-90 (95 hp)	8	RHM40E	REM37BY REM40E	RHM38S	REM38S
17-31TC Lyco IO-540-K (300 hp)	12	RHB37E		RHB36S		150, A thru M Cont O-200A (100 hp)	8	RHM40E	REM37BY REM40E	RHM38S	REM38S
BELLANCA (Champion) 7AC-S7AC Cont A65-8 (65 hp)	8	RHM40E	REM37BY REM40E		REM38S	152, F152 Lyco O-235-L2C, N2C (110 hp)	8	RHM40E	REM37BY REM40E	RHM38S	REM38S
7DC, S7DC Cont C-85-8 (85 hp)	8	RHM40E	REM37BY REM40E		REM38S	170, 170A, B Cont C-145 (145 hp) O-300 (145 hp)	12	RHM40E	REM37BY REM40E	RHM38S	REM38S
S7CCM, 7EC, S7EC, 7FC, 7JC Cont C-90-12 (90 hp)	8	RHM40E	REM37BY REM40E	RHM38S	REM38S	172, A-H, Skyhawk Cont O-300 (145 hp)	12	RHM40E	REM37BY REM40E	RHM38S	REM38S
7GC, 7HC Lyco O-290-D (135 hp)	8	RHM40E	REM37BY REM40E	RHM38S	REM38S	172 I-M Skyhawk Lyco O-320-E (150 hp)	8	RHM40E	REM37BY REM40E	RHM38S	REM38S
7GCA, 7GCB, 7GCBA, 7GCAA, 7GCB, 7KC Lyco O-320-A (150 hp)	8	RHM40E	REM37BY REM40E	RHM38S	REM38S	172N, F172N Skyhawk/100 Lyco O-320-H2AD (160 hp)	8	RHM40E	REM37BY REM40E	RHM38S	REM38S
7ACA Frank 2A-120-B (50 hp)	4	RHB32E		RHB36S		172P Skyhawk Lyco O-320-D2J (160 hp)	8	RHM40E	REM37BY REM40E	RHM38S	REM38S
7ECA Lyco O-235 (108 hp) Cont O-200-A (100 hp)	8	RHM40E	REM37BY REM40E	RHM38S	REM38S	P172, Powermatic Cont GO-300-E (175 hp)	12	RHM40E	REM37BY REM40E	RHM38S	REM38S
7ECA Lyco O-235-K (118 hp)	8	RHM38E	REM37BY REM38E	RHM38S	REM38S	R172K, FR172K Hawk XP Cont IO-360-K (195 hp)	12	RHM38E	REM37BY REM38E	RHM38S	REM38S
7KCAB Lyco IO-320-E (150 hp) AEIO-320-E (150 hp)	8	RHM40E	REM37BY REM40E	RHM38S	REM38S	R172R & S Lyco IO-360-L2A (160/180 hp)	8	RHM40E	REM37BY REM40E	RHM38S	REM38S
8KCAB Lyco IO-320-E (150 hp) AEIO-320-E (150 hp)	8	RHM40E	REM37BY REM40E	RHM38S	REM38S	172RG Cutlass RG Lyco O-360-F1A6 (180 hp)	8	RHM40E	REM37BY REM40E	RHM38S	REM38S
8GCBC Super Scout Lyco O-360-C Series (180 hp)	8	RHM40E	REM37BY REM40E	RHM38S	REM38S	172G Cutlass II Lyco O-360-A4H (180 hp)	8	RHM40E	REM37BY REM40E	RHM38S	REM38S
8KCAB Lyco AEIO-360-H1A (180 hp)	8	RHM40E	REM37BY REM40E	RHM38S	REM38S	175A, B, C, Skylark Cont GO-300-A thru E (175 hp)	12	RHM40E	REM37BY REM40E	RHM38S	REM38S
BRANTLY B2 Lyco VO-360 (180 hp) IVO-360 (180 hp)	8	RHM40E	REM37BY REM40E	RHM38S	REM38S	175 Frank 6A-335-B (180 hp)	12	RHB32E		RHB36S	
B2B IVO-360A (180 hp)	8	RHB37E		RHB36S		177, Cardinal Lyco O-320-E (150 hp)	8	RHM40E	REM37BY REM40E	RHM38S	REM38S
305 Lyco IVO-540-A1A (305 hp)	12	RHB37E		RHB36S		177A, 177B, Cardinal Lyco O-360-A1F6D (180 hp)	8	RHM40E	REM37BY REM40E	RHM38S	REM38S
CALL-AIR A, A-2, A-4 Lyco O-235 (115 hp) Lyco O-290 (140 hp)	8	RHM40E	REM37BY REM40E	RHM38S	REM38S	Cardinal RG Lyco IO-360-A1B6D (200 hp)	8	RHM40E	REM37BY REM40E	RHM38S	REM38S
A-5 Lyco O-320-A (150 hp)	8	RHM40E	REM37BY REM40E	RHM38S	REM38S	180 Cont O-470-A, -J (225 hp)	12	RHM40E	REM37BY REM40E	RHM38S	REM38S
A-6 Lyco O-360-A (180 hp)	8	RHM40E	REM37BY REM40E	RHM38S	REM38S	180A thru D Cont O-470-K, -L (230 hp)	12	RHM40E	REM37BY REM40E	RHM38S	REM38S
A-7, A7T Cont W-670 (240 hp)	14	RHM40E	REM37BY REM40E	RHM38S	REM38S	180E, F, G, H, J Cont O-470-R, -S (230 hp)	12	RHM40E	REM37BY REM40E	RHM38S	REM38S
						180K Cont O-470-U (230 hp)	12	RHB32E		RHB36S RHB32S	

Most generally used plugs shown in red type. For Unshielded Spark Plugs - see pgs. 13-16. Plug Listings taken from FAA Approved Data. Please consult your aviation distributor for availability on these items.

6 Contact your preferred distributor for Champion factory FAA certified servicing of your spark plugs.

Spark Plugs



Popular Aircraft and Engines

U.S. Aircraft/Engine Specifications	Plugs Per Eng.	Massive		Fine Wire		U.S. Aircraft/Engine Specifications	Plugs Per Eng.	Massive		Fine Wire	
		Shielded						Shielded			
		3/4"-20	5/8"-24	3/4"-20	5/8"-24			3/4"-20	5/8"-24	3/4"-20	5/8"-24
CESSNA (Cont'd)						207, A					
182A thru D, Skylane Cont O-470-L (230 hp)	12	RHM40E	REM40E	RHM38S	REM38S	Cont IO-520-F (300 hp)	12	RHB32E		RHB32S	
182E thru P, Skylane Cont O-470-R, -S (230 hp)	12	RHM40E	REM40E	RHM38S	REM38S	T207, A Cont TSIO-520-G, -M (285 hp)	12	RHB32E		RHB36S	RHB32S
182Q, R, F182Q, R, Skylane Cont O-470-U (230 hp)	12	RHB32E		RHB36S	RHB32S	210, 210A, 210B, 210C Cont IO-470-E, -S (260 hp)	12	RHB32E		RHB36S	RHB32S
R182, FR182 Skylane RG Lyco O-540-J3C5D (235 hp)	12	RHM40E	REM40E	RHM38E	REM38E	210 Centurion, 210K, L, M, N, R Cont IO-520-A, -J, -L (285/300 hp)	12	RHB32E		RHB36S	RHB32S
T182 Turbo Skylane Lyco O-540-L3C5D (235 hp)	12	RHB37E		RHB36S	RHB32S	T210 Centurion, T210K, L, M, N Cont TSIO-520-C, -H, -R (285 hp)	12	RHB32E		RHB36S	RHB32S
C-182 IO-540-AB1A5 (230 hp)	12	RHM38E	REM38E	RHM38S	REM38S	P210N, Pressurized Centurion Cont TSIO-520-P, PA, AF, CE (310 hp)	12	RHB32E		RHB36S	RHB32S
T-182 TIO-540-AJ1A	12	RHB37E		RHB36S	RHB32S	T303, Crusader 2/Cont TSIO-520-AE & LTSIO-520-AE (250 hp)	12	RHB32E		RHB36S	RHB32S
TR182, FTR182-Turbo Skylane RG Lyco O-540-L3C5D (235 hp)	12	RHB37E		RHB36S	RHB32S	310 2/Cont O-470-B (240 hp)	12	RHM40E	REM40E	RHM38S	REM38S
185, A thru E Skywagon Cont IO-470-F (260 hp)	12	RHB32E		RHB36S	RHB32S	310A 2/Cont O-470-M (240 hp)	12	RHM40E	REM40E	RHM38S	
185F, A185E/F Skywagon & AG Carry (All) Cont IO-520-D (300 hp)	12	RHB32E		RHB36S	RHB32S	310C, D, F thru M, P, Q 2/Cont IO-470-D, -U, -V, -VO (260 hp)	12	RHB32E		RHB36S	RHB32S
188 Agwagon Cont O-470-R (230 hp)	12	RHM40E	REM40E	RHM38S	REM38S	310R 2/Cont IO-520-M (285 hp)	12	RHB32E		RHB36S	RHB32S
188 Agpickup Cont O-470-S (230 hp)	12	RHM40E	REM40E	RHM38S	REM38S	T310P, T310Q, T310R 2/Cont TSIO-520-B (285 hp)	12	RHB32E		RHB36S	RHB32S
188, A188B Agwagon Cont IO-520-D (300 hp)	12	RHB32E		RHB36S	RHB32S	320A, B, C, Skynight 2/Cont TSIO-470-B, -C, -D (260 hp)	12	RHB32E		RHB36S	RHB32S
188 Agtruck Cont IO-520-D (300 hp)	12	RHB32E		RHB36S	RHB32S	320D, E, F, Executive Skynight 2/Cont TSIO-520-B (285 hp)	12	RHB32E		RHB36S	RHB32S
T188C Aghusky Cont TSIO-520-T (310 hp)	12	RHB32E		RHB36S	RHB32S	335 2/Cont TSIO-520-EB (300 hp)	12	RHB32E		RHB36S	RHB32S
190 Cont W-670 (240 hp)	14	RHM40E	REM40E	RHM38S	REM38S	336, 337 Skymaster 2/Cont IO-360-G (210 hp)	12	RHM38E		RHM38S	
195 Jacobs R-755 (245/275/300 hp)	14	RHM40E	REM40E	RHM38S	REM38S	337 Super Skymaster 2/Cont TSIO-360 (210 hp)	12	RHM38E		RHM38S	
205, 205A Cont IO-470-S (260 hp)	12	RHB32E		RHB36S	RHB32S	P337G/H Pressurized Skymaster 2/Cont TSIO-360-C (225 hp)	12	RHM38E		RHM38S	
C-206-H IO-540-AC1A5 (300 hp)	12	RHB37E		RHB36S	RHB32S	T337H Turbo Skymaster 2/Cont TSIO-360-H (210 hp)	12	RHM38E		RHM38S	
T-206-H TIO-540-AJ1A (310 hp)	12	RHB32E		RHB36S	RHB32S	340 2/Cont TSIO-520-K (285 hp)	12	RHB32E		RHB36S	RHB32S
P206 Super Skylane Cont IO-520-A (285 hp)	12	RHB32E		RHB36S	RHB32S	340A 2/Cont TSIO-520-N (310 hp)	12	RHB32E		RHB36S	RHB32S
TP206 Super Skylane Cont TSIO-520-C (285 hp)	12	RHB32E		RHB36S	RHB32S	401, 402A, B 2/Cont TSIO-520-E (300 hp)	12	RHB32E		RHB36S	RHB32S
U206 Super Skywagon						402C 2/Cont TSIO-520-VB (325 hp)	12	RHB32E		RHB36S	RHB32S
U206D Cont IO-520-A (285 hp)											
Cont IO-520-F (300 hp)	12	RHB32E		RHB36S	RHB32S						
U206E, U206G Stationair, U206F Cont IO-520-F (300 hp)	12	RHB32E		RHB36S	RHB32S						
TU206 Super Skywagon Cont TSIO-520-C (285 hp)	12	RHB32E		RHB36S	RHB32S						
TU206E, TU206G, TU206F G Stationair Cont TSIO-520-C, M (285/310 hp)	12	RHB32E		RHB36S	RHB32S						

Most generally used plugs shown in red type. For Unshielded Spark Plugs - see pgs. 13-16. Plug Listings taken from FAA Approved Data. Please consult your aviation distributor for availability on these items.

Contact your preferred distributor for Champion factory FAA certified servicing of your spark plugs. 7



Spark Plugs

Popular Aircraft and Engines

U.S. Aircraft/Engine Specifications	Plugs Per Eng.	Massive		Fine Wire		U.S. Aircraft/Engine Specifications	Plugs Per Eng.	Massive		Fine Wire	
		Shielded						Shielded			
		3/4"-20	5/8"-24	3/4"-20	5/8"-24			3/4"-20	5/8"-24	3/4"-20	5/8"-24
CESSNA (Cont'd)						Mallard G-73					
404 Titan 2/Cont GTSIO-520-M (375 hp)	12	RHB32E		RHB36S RHB32S		2/P & W R-1340 (600 hp)	18	RHM40E	REM37BY REM40E	RHM38S	REM38S
411, 411A 2/Cont GTSIO-520-C (340 hp)	12	RHB32E		RHB36S RHB32S		Avenger TBM Wright R-2600 (1900 hp)	28	RHB37E	REB37E	RHB36S	REB36S
414, 414A 2/Cont TSIO-520-J, -N (310 hp)	12	RHB32E		RHB36S RHB32S		GULFSTREAM AMERICAN					
421A, B, C 2/Cont GTSIO-520-D, -H, -L -N (375 hp)	12	RHB32E		RHB36S RHB32S		AA-1 Yankee Lyco O-235 (108 hp)	8	RHM40E	REM37BY REM40E	RHM38S	REM38S
CHAMPION (See Bellanca)						AA-1A, AA-1B Trainer Lyco O-235 (108 hp)	8	RHM40E	REM37BY REM40E	RHM38S	REM38S
CHRISTEN						AA-1B, TR2 Lyco O-235 (108 hp)	8	RHM40E	REM37BY REM40E	RHM38S	REM38S
S-1T Pitts Special Lyco AEIO-360-A1E (200 hp)	8	RHM38E	REM38E	REM37BY	RHM38S	REM38S		RHM40E	REM37BY REM40E	RHM38S	REM38S
S-2B, S-2S Pitts Special Lyco AEIO-540-D4A5 (260 hp)	12	RHM40E	REM40E	RHM38E	RHM38S	REM38S		RHM40E	REM37BY REM40E	RHM38S	REM38S
CIRRUS						AA5A Cheetah Lyco O-320-E (150 hp)	8	RHM40E	REM37BY REM40E	RHM38S	REM38S
SRV, SR20 Cont. IO360-ES (200 hp)	8	RHM38E	REM38E	RHM38S	REM38S	AA-5B Tiger Lyco O-360-A4K (180 hp)	8	RHM40E	REM37BY REM40E	RHM38S	REM38S
SR22 Cont. IO550-N (310 hp)	12	RHB32E		RHB36S RHB32S		Cougar 2/Lyco O-320-D (160 hp)	8	RHM40E	REM37BY REM40E	RHM38S	REM38S
COLUMBIA/LANCAIR						COMMANDER					
Columbia 300, 350 Cont IO550N (310 hp)	12	RHB32E		RHB32S RHB36S		Commander 200D Cont IO-520-A (285 hp)	12	RHB32E		RHB32S	
Columbia 400 Cont TSIO550 (310 hp)	12	RHB32E		RHB32S RHB36S		500 2/Lyco O-540-A (250 hp)	12	RHM40E	REM40E	RHM38S	REM38S
COMMANDER AIRCRAFT COMPANY						500A 2/Cont IO-470-M (260 hp)	12	RHB32E		RHB32S	
Commander 114B Lyco IO-540-T4B5 (260 hp)	12	RHM40E	REM40E	RHM38E	RHM38S	REM38S		RHM38E	REM38E	RHM38S	REM38S
Commander 114TCL TSIOL-550B	12	RHU32E		RHU32S		500B, 500U, 500S 2/Lyco IO-540-B, -E 1/2" Rch. Cyl. (290 hp)	12	RHM38E	REM38E	RHM38S	REM38S
DIAMOND						500U 2/Lyco IO-540-E1B5 13/16" Rch. Cyl. (290 hp)	12	RHB37E	REB37E	RHB36S	REB36S
Eclipse Evolution						520 2/Lyco GO-435-C (260 hp)	12	RHM40E	REM40E	RHM38S	REM38S
DA 20-1C Cont. IO240B3B (125 hp)	8	RHM38E	REM38E	REM37BY	RHM38S	REM38S		RHM38E	REM38E	RHM38S	REM38S
DA 40-180 Lyco IO360-MIA (180 hp)	8	RHM38E	REM38E	REM40E	RHM38S	REM38S		RHM40E	REM40E	RHM38S	REM38S
ENSTROM						BY560 2/Lyco GO-480-B (270 hp) GO-480-D (275 hp)	12	RHM40E	REM40E	RHM38S	REM38S
F28, F28A, 280 Lyco HIO-360-C (205 hp)	8	RHM38E	REM38E	RHM38S	REM38S	560A, E 1/2" Rch. Cyl. 2/Lyco GO-480-C, -G (295 hp)	12	RHM38E	REM38E	RHM38S	REM38S
F28B Lyco TIO-360-B2A (200 hp)	8	RHB37E	REB37E	RHB36S	REB36S	560A, E 13/16" Rch. Cyl. 2/Lyco GO-480-G (295 hp)	12	RHB37E		RHB36S	
F28C, 280C Lyco HIO-360-E1AD (205 hp)	8	RHB32E		RHB32S		560F 1/2" Rch. Cyl. 2/Lyco IGO-540 (350 hp)	12	RHM38E		RHM36S	
F28E, F28F Lyco IO-360-F1AD (225 hp)	8	RHB32E		RHB32S		560F 13/16" Rch. Cyl. 2/Lyco IGO-540 (350 hp)	12	RHB37E		RHB36S	
ERCOUPE						680, 680E 1/2" Rch. Cyl. 2/Lyco GSO-480-A (340 hp)	12	RHM38E	REM38E	RHM38S	REM38S
Club-Air 415-C Cont C-75 (75 hp)	8	RHM40E	REM37BY REM40E								
Club-Air 415E, F, G, H Cont C-85 (85 hp)	8	RHM40E	REM37BY REM40E								
GRUMMAN											
Goose 21 2/P & W R-985 (450 hp)	18	RHM40E	REM40E	RHM38S	REM38S						
Widgeon G44 2/Ranger 6-440-C5 (200 hp)	12	RHM40E	REM40E	RHM38S	REM38S						
Modified G44 2/Cont IO-470-M (260 hp)	12	RHB32E		RHB36S RHB32S							
Modified G44 2/Lyco GO-480-B (270 hp)	12	RHM40E	REM40E	RHM38E	RHM38S	REM38S					

8 Contact your preferred distributor for Champion factory FAA certified servicing of your spark plugs.

Spark Plugs



Popular Aircraft and Engines

U.S. Aircraft/Engine Specifications	Plugs Per Eng.	Massive		Fine Wire		U.S. Aircraft/Engine Specifications	Plugs Per Eng.	Massive		Fine Wire	
		Shielded						Shielded			
		3/4"-20	5/8"-24	3/4"-20	5/8"-24			3/4"-20	5/8"-24	3/4"-20	5/8"-24
COMMANDER (Cont'd)						HUSKY					
680, 680E 13/16" Rch. Cyl. 2/LycO GSO-480-A (340 hp)	12	RHB37E		RHB36S		A-1B-160 Lyc. 0-320-D2A	8	RHM38E	REM38E	RHM38S	REM38S
680F, 680FP, 680FL, 680FLP 1/2" Rch. Cyl. 2/LycO IGSO-540-B (380 hp)	12	RHM38E		RHM38S		A-1B-180 Lyc. 0-360-A1P	8	RHM38E	REM38E	RHM38S	REM38S
680F, 680FP, 680FL, 680FLP 13/16" Rch. Cyl. 2/LycO IGSO-540-B (380 hp)	12	RHB37E RHB32E		RHB36S RHB32S		A-1B-200 Lyc. 10-360-A1D6	8	RHM38E	REM38E	RHM38S	REM38S
112, 112A LycO IO-360-C (200 hp)	8	RHM38E	REM38E	RHM38S	REM38S	LAKE					
112TC, 112TCA LycO TO-360-C1A6D (210 hp)	8	RHB32E		RHB32S		200EP LycO IO-360-A1B6 (200 hp)	8	RHM38E	REM38E	RHM38S	REM38S
114, 114A LycO IO-540-T4A5D (260 hp)	12	RHM40E RHM38E	REM40E REM38E	RHM38S	REM38S	LA-250 LycO IO-540-C4B5 (250 hp)	12	RHM40E RHM38E	REM40E REM38E	RHM38S	
Commander 685 2/Cont GTSIO-520-F, -K (435 hp)	12	RHB32E		RHB32S		Skimmer C-1 LycO O-320-A (150 hp)	8	RHM40E	REM40E	RHM38S	REM38S
Model 700 2/LycO TIO-540-R2AD (340/350 hp)	12	RHB37E RHB32E	REB37E REB32E	RHB36S RHB32S	REB36S	Skimmer C-2, LA-4,					
HELIO						LA-4A LycO O-360-A (180 hp)	8	RHM40E RHM38E	REM40E REM38E	RHM38S	REM38S
Courier LycO GO-435-C (260 hp)	12	RHM40E RHM38E	REM40E REM38E	RHM38S	REM38S	Skimmer LA-4-200 LycO IO-360-A1B6 (200 hp)	8	RHM38E	REM38E	RHM38S	REM38S
Super Courier 1/2" Rch. Cyl. LycO GO-480-G (295 hp)	12	RHM38E	REM38E	RHM38S	REM38S	LUSCOMBE					
Strato Courier 1/2" Rch. Cyl. LycO GSO-480-A (340 hp)	12	RHM38E	REM38E	RHM38S	REM38S	Silvaire 8A Cont A-65 (65 hp)	8	RHM40E	REM37BY REM40E		
Strato Courier 13/16" Rch. Cyl. LycO GSO-480-A (340 hp)	12	RHB37E		RHB36S		Silvaire 8C, D Cont A-75 (75 hp)	8	RHM40E	REM37BY REM40E	RHM38S	REM38S
Caballero LycO O-540-A (250 hp)	12	RHM40E RHM38E	REM40E REM38E	RHM38S	REM38S	Silvaire 8E, F Cont C-85 (85 hp) Cont C-90 (95 hp)	8	RHM40E	REM37BY REM40E	RHM38S	REM38S
Helio 700 LycO TIO-540-J2BD (350 hp)	12	RHB37E RHB32E		RHB36S RHB32S		Sedan 1A Cont E-165 (165 hp)	12	RHM40E	REM40E	RHM38S	REM38S
Helio 800 LycO IO-720-A1B (400 hp) (Long Reach)	16	RHB37E RHB32E	REB37E REB32E	RHB36S RHB32S	REB36S	McCULLOCH					
Helio 800 LycO IO-720-A1B (400 hp) (Short Reach)	16	RHM38E	REM38E	RHM38S	REM38S	J-2 LycO O-360-A (180 hp)	8	RHM40E RHM38E	REM37BY REM38E	RHM38S	REM38S
Helio Twin 2/LycO O-540-A (250 hp)	12	RHM40E RHM38E	REM40E REM38E	RHM38S	REM38S	MAULE					
Twin Courier 2/LycO O-540-A (250 hp)	12	RHM40E RHM38E	REM40E REM38E	RHM38S	REM38S	M4 Astro Rocket Frank 6A-335B (180 hp)	12	RHB32E		RHB32S	
HILLER						M4 Jetasen Cont O-300A (145 hp)	12	RHM40E RHM38E	REM40E REM38E	RHM38S	REM38S
UH-12B Frank 6V4-200 (200 hp)	12		REL37B			M4 Rocket Cont IO-360-A (210 hp)	12	RHM38E	REM38E	RHM38S	REM38S
UH-12C Frank 6V-335 (210 hp)	12		REL37B			M4 Strata Rocket Frank 6A-350C (220 hp)	12	RHB32E		RHB32S	
UH-12D LycO VO-435 (260 hp)	12	RHM40E RHM38E	REM40E REM38E	RHM38S	REM38S	M5-180C, MX7-180 LycO O-360-C, O-360-C1F (180 hp)	8	RHM40E RHM38E	REM40E REM38E	RHM38S	REM38S
UH-12E 1/2" Rch. Cyl. LycO VO-540 (305 hp)	12	RHM38E	REM38E	RHM38S	REM38S	M5-210C Cont IO-360D (210 hp)	12	RHM38E	REM38E	RHM38S	REM38S
UH-12E, L 13/16" Rch. Cyl. LycO VO-540-C (305 hp)	12	RHB37E		RHB36S		M5-210TC LycO TO-360-C1A6D (210 hp)	8	RHB37E RHB32E	REB37E REB32E	RHB36S	REB36S
						M5-235C, M6-235,					
						M7-235 LycO O-540-J1A5D (235 hp)	12	RHM40E RHM38E	REM40E REM38E	RHM38S	REM38S
						MX-7-235 LycO O-540-W1A5D (235 hp)	12	RHM40E RHM38E	REM40E REM38E	RHM38S	REM38S
						MEYERS					
						MAC-145 Cont C-145 (145 hp)	12	RHM40E	REM37BY REM40E	RHM38S	REM38S
						200 Cont O-470-M (240 hp)	12	RHM40E RHM38E	REM40E	RHM38S	REM38S
						200A, B, C Cont IO-470-D (260 hp)	12	RHB32E		RHB32S	

Most generally used plugs shown in red type. For Unshielded Spark Plugs - see pgs. 13-16. Plug Listings taken from FAA Approved Data. Please consult your aviation distributor for availability on these items.

Contact your preferred distributor for Champion factory FAA certified servicing of your spark plugs. 9



Spark Plugs

Popular Aircraft and Engines

U.S. Aircraft/Engine Specifications	Plugs Per Eng.	Massive		Fine Wire		U.S. Aircraft/Engine Specifications	Plugs Per Eng.	Massive		Fine Wire	
		Shielded						Shielded			
		3/4"-20	5/8"-24	3/4"-20	5/8"-24			3/4"-20	5/8"-24	3/4"-20	5/8"-24
MOONEY						PIPER (Cont'd)					
M18C, M18L						J3, J4, J5, PA-15					
Cont A-65 (65 hp)						Lyco O-145 (65 hp)	8	RHM40E	REM40E		
Lyco O-145 (65 hp)	8	RHM40E	REM40E			PA-12, PA-14, PA-16					
Cadet						Lyco O-235 (115 hp)	8	RHM40E	REM40E	RHM38S	REM38S
Cont C-90 (95 hp)	8	RHM40E	REM40E	RHM38S	REM38S	Super Cub PA-18 "95"					
Encore						Cont C-90 (95 hp)	8	RHM40E	REM40E	RHM38S	REM38S
TSIO-360 (220 hp)		RHM38E	REM38E	RHM38S	REM38S	PA-18 "105"					
M20						Lyco O-235 (105 hp)	8	RHM40E	REM40E	RHM38S	REM38S
Lyco O-320-A (150 hp)	8	RHM40E	REM40E	RHM38S	REM38S	PA-18 "125"					
M20A						Lyco O-235 (105 hp)	8	RHM40E	REM40E	RHM38S	REM38S
Lyco O-360-A		RHM40E	REM40E			PA-18 "135"					
Lyco O-360-A1D (180 hp)	8	RHM38E	REM38E	RHM38S	REM38S	Lyco O-290-D2 (135 hp)	8	RHM40E	REM40E	RHM38S	REM38S
M20B Mark 21						PA-18 "150"					
Lyco O-360-A		RHM40E	REM40E	RHM38S		Lyco O-320-A (150 hp)	8	RHM40E	REM40E	RHM38S	REM38S
Lyco O-360-A1D (180 hp)	8	RHM38E	REM38E	RHM38S	REM38S	Pacer PA-20 "115"					
M20C Ranger Mark 21						Lyco O-235-C (115 hp)	8	RHM40E	REM40E	RHM38S	REM38S
Lyco O-360-A1D		RHM40E	REM40E			PA-20 "125"					
(180 hp)	8	RHM38E	REM38E	RHM38S	REM38S	Lyco O-290-D (125 hp)	8	RHM40E	REM40E	RHM38S	REM38S
M20D Master						PA-20 "135"					
Lyco O-360-A		RHM40E	REM40E			Lyco O-290-D2 (135 hp)	8	RHM40E	REM40E	RHM38S	REM38S
Lyco O-360-A2D (180 hp)	8	RHM38E	REM38E	RHM38S	REM38S	PA-22 "108" Colt					
M20E Chaparral						Lyco O-235-C (108 hp)	8	RHM40E	REM40E	RHM38S	REM38S
Super 21						Tri-Pacer PA-22 "135"					
Lyco IO-360-A1D (200 hp)	8	RHM38E	REM38E	RHM38S	REM38S	Lyco O-290-D2 (135 hp)	8	RHM40E	REM40E	RHM38S	REM38S
M20F Executive						PA-22 "150"					
Lyco IO-360-A1A (200 hp)	8	RHM40E	REM40E	RHM38S	REM38S	Lyco O-320-A (150 hp)	8	RHM40E	REM40E	RHM38S	REM38S
M20G Statesman						PA-22 "160"					
Lyco O-360-A (180 hp)	8	RHM38E	REM38E	RHM38S	REM38S	Lyco O-320-B (160 hp)	8	RHM40E	REM40E	RHM38S	REM38S
M20J-201, 205-MSE						Apache PA-23 "150"					
Lyco IO-360-A3B6D (200 hp)	8	RHM38E	REM38E	RHM38S	REM38S	2/Lyco O-320-A (150 hp)	8	RHM40E	REM40E	RHM38S	REM38S
M20K-231						PA-23 "160"					
Cont TSIO-360-B, GB1,-GB3,-GB4, LB1 (210 hp)	12	RHM38E	REM38E	RHM38S	REM38S	Lyco O-320-B (160 hp)	8	RHM38E	REM38E	RHM38S	REM38S
M20K-252, TSE						PA-23 "235"					
Cont TSIO-360-MB1 (210 hp)	12	RHM38E		RHM38S		2/Lyco O-540-B (235 hp)	12	RHM40E	REM40E	RHM38S	REM38S
M20M-TLS Bravo						Aztec PA-23 "250"					
Lyco TIO-540-AF1A (270 hp)	12	RHB37E		RHB36S	RHB32S	2/Lyco O-540-A (250 hp)	12	RHM40E	REM40E	RHM38S	REM38S
M-20R Ovation						Aztec C, D, E, F, PA-23 "250"					
TCM-IO-550G (5)	12	RHB32E		RHB32S		2/Lyco IO-540-C (250 hp) (Short Reach)	12	RHM40E	REM40E	RHM38S	REM38S
M20S Eagle						Aztec - Turbo-Blown					
IO-550G (244 hp)		RHB32E		RHB36S	RHB32S	2/Lyco IO-540-J (250 hp)	12	RHB32E	REB37E	RHB32S	REB36S
M22 Mustang						Aztec C,D, E, F, PA-23 "250"					
Lyco TIO-541-A1A (310 hp)	12	RHB37E		RHB36S	RHB32S	2/Lyco TIO-540-C (250 hp) (Long Reach)	12	RHB37E	REB37E	RHB36S	REB36S
NAVION						Comanche PA-24 "180"					
A						Lyco O-360-A (180 hp)	8	RHM40E	REM40E	RHM38S	REM38S
Cont E-185 (205 hp)	12	RHM40E	REM40E	RHM38S	REM38S	PA-24 "250"					
B						Lyco O-540-A (250 hp)	12	RHM40E	REM40E	RHM38S	REM38S
Lyco GO-435C (260 hp)	12	RHM38E		REM40E	RHM38S	PA-24 "260", PA24B, PA24C					
REM38S						Lyco IO-540-B, -D, -N (260 hp)	12	RHM40E	REM40E	RHM38S	REM38S
D						PA-24 "260" Turbo					
Cont O-470-P (240 hp)	12	RHM40E	REM40E	RHM38S	REM38S	Lyco IO-540-R1A5 (260 hp)	12	RHB32E	REB32E	RHB32S	REB36S
E						PA-24 "400"					
Cont IO-470-C (250 hp)	12	RHM38E	REM38E	RHM38S	REM38S	Lyco IO-720-A (400 hp)	16	RHM38E		RHM38S	
F, G											
Cont IO-470-H (260 hp)	12	RHB32E		RHB36S	RHB32S						
H											
Cont IO-520 (285 hp)	12	RHB32E		RHB32S							
PIPER											
Cub J3, J4, J5, PA-11, PA-17											
Cont A-65 (65 hp)											
C-75 (75 hp)	8	RHM40E	REM40E								

Most generally used plugs shown in red type. For Unshielded Spark Plugs - see pgs. 13-16. Plug Listings taken from FAA Approved Data. Please consult your aviation distributor for availability on these items.

10 Contact your preferred distributor for Champion factory FAA certified servicing of your spark plugs.

Spark Plugs



Popular Aircraft and Engines

U.S. Aircraft/Engine Specifications	Plugs Per Eng.	Massive		Fine Wire		U.S. Aircraft/Engine Specifications	Plugs Per Eng.	Massive		Fine Wire	
		Shielded						Shielded			
		3/4"-20	5/8"-24	3/4"-20	5/8"-24			3/4"-20	5/8"-24	3/4"-20	5/8"-24
PIPER (Cont'd)						Cherokee Lance PA-32 "300"					
Pawnee PA-25 "150"						LycO IO-540-K1A5D (300 hp)	12	RHM38E	REM38E	RHM38S	REM38S
LycO O-320-A (150 hp)	8	RHM40E	REM40E	RHM38S	REM38S	Cherokee Lance II PA-32 "300" R					
PA-25 "235"						LycO IO-540-K1G5D (300 hp)	12	RHM38E	REM38E	RHM38S	REM38S
LycO O-540-B (235 hp)	12	RHM40E	REM40E	RHM38S	REM38S	PA-32RT-300T Turbo Lance		RHB37E		RHB36S	
PA-25 "260"						LycO TIO-540-S1AD (300 hp)	12	RHB32E		RHB32S	
LycO O-540-G (260 hp)	12	RHM40E	REM40E	RHM38S	REM38S	Saratoga PA-32-301					
Cherokee PA-28 "140"						LycO IO-540-K1G5 (300 hp)	12	RHM38E	REM38E	RHM38S	REM38S
LycO O-320-E (140 hp)	8	RHM40E	REM40E	RHM38S	REM38S	Turbo-Saratoga PA-32-301T					
PA-28 "150" Flight Liner 2+2 Cruiser, Warrior "151"						LycO TIO-540-S1AD (300 hp)	12	RHB37E	REB37E	RHB36S	REB36S
O-320-A, -E (150 hp)	8	RHM40E	REM40E	RHM38S	REM38S	Saratoga SP PA-32R-301					
PA-28 Warrior II "161" Cadet						LycO IO-540-K1G5 (300 hp)	12	RHM38E	REM38E	RHM38S	REM38S
LycO O-320-B, -D (160 hp)	8	RHM38E	REM38E	RHM38S	REM38S	Turbo-Saratoga SP PA-32R-301T					
PA-28 "180" Challenger, Archer						LycO TIO-540-S1AD (300 hp)	12	RHB37E	REB37E	RHB36S	REB36S
LycO O-360-A (180 hp)	8	RHM38E	REM38E	RHM38S	REM38S	Saratoga SP PA-32R-301					
PA-28 "181" Archer II						LycO IO-540-K1G5 (300 hp)	12	RHM38E	REM38E	RHM38S	REM38S
LycO O-360-A (180 hp)	8	RHM38E	REM38E	RHM38S	REM38S	Turbo-Saratoga SP PA-32R-301T					
PA-28R "180" Arrow						LycO TIO-540-S1AD (300 hp)	12	RHB37E	REB37E	RHB36S	REB36S
LycO IO-360-B (180 hp)	8	RHM38E	REM38E	RHM38S	REM38S	Seneca PA-34					
PA-28R Arrow II, III, IV "200"						2/LycO LIO-360-C & IO-360-C (200 hp)	8	RHM38E	REM38E	RHM38S	REM38S
LycO IO-360-C (200 hp)	8	RHM38E	REM38E	RHM38S	REM38S	Seneca II PA-34-200T					
PA-28R Turbo Arrow III, IV						2/Cont TSIO-360-E, EB & LTSIO-360-E (200 hp)	12	RHM38E		RHM38S	
Cont TSIO-360F, FB (200 hp)	12	RHM38E	REM38E	RHM38S	REM38S	Seneca III PA-34-220T					
PA-28 "235" Charger, Pathfinder						2/Cont TSIO-360-KB & LTSIO-360-KB (220 hp)	12	RHM38E		RHM38S	
LycO O-540-B (235 hp)	12	RHM40E	REM40E	RHM38S	REM38S	Pawnee Brave PA-36					
PA-28 "236" Dakota						Cont 6-285-B (285 hp) Tierra Engine	12	RHU27E			
LycO O-540-J3A5D (235 hp)	12	RHM38E	REM38E	RHM38S	REM38S	Pawnee Brave PA-36					
PA-28-201T Turbo Dakota						LycO IO-540-K1G5 (300 hp)	12	RHM38E	REM38E	RHM38S	REM38S
Cont TSIO-360-FB (200 hp)	12	RHM38E	REM38E	RHM38S		Pawnee Brave PA-36					
Twin Comanche PA-30 "160"						LycO IO-720-D1CD (375 hp)	16	RHB37E	REB37E	RHB36S	REB36S
2/LycO IO-320-B (160 hp)	8	RHM38E	REM38E	RHM38S	REM38S	Twin Comanche PA-39					
Navajo PA-31 "300"						2/LycO IO-320-B & LIO-320-B (160 hp)	8	RHM40E	REM40E	RHM38S	REM38S
2/LycO IO-540-M (300 hp)	12	RHB37E	REB37E	RHB36S	REB36S	Twin Comanche PA-39 Turbo					
Navajo PA-31						2/LycO LIO-320-C & IO-320-C (160 hp)	8	RHB37E	REB37E	RHB36S	REB36S
2/LycO TIO-540-A1A, A2C (310 hp)	12	RHB32E		RHB32S		PA-40					
Navajo PA-31-325C/R						2/LycO IO-320-B & LIO-320B (160 hp)	8	RHM40E	REM40E	RHM38S	REM38S
2/LycO TIO-540-F2BD & LTIO-540-F2BD (325 hp)	12	RHB37E		RHB32S		Tomahawk-Trainer PA-38					
Navajo PA-31 Chieftain						LycO O-235-L2C (112 hp)	8	RHM40E	REM40E	RHM38S	REM38S
2/LycO TIO-540-J & LTIO-540-J (350 hp)	12	RHB37E		RHB32S		Seminole PA-44-180					
PAT-1020						2/LycO LO-360-E1A6D & O-360-E1A6D (180 hp)	8	RHM40E	REM40E	RHM38S	REM38S
LycO TIO-540-J2B (350 hp)	12	RHB32E		RHB32S		Turbo-Seminole PA-44-180T					
Navajo PA-31P						2/LycO TO-360-E1A6D & LTO-360-E1A6D (180 hp)	8	RHB37E	REB37E	RHB36S	REB36S
2/LycO TIGO-541-E1A (425 hp)	12	RHB32E		RHB32S		Malibu PA-46-301-P					
Mojave (PA-31P-350)						Cont TSIO-520-BE (310 hp)	12	RHB32E		RHB36S	RHB32S
2/LycO TIO & LTIO-540-V2AD (360 hp)	12	RHB32E		RHB32S							
Cherokee Six PA-32 "260"											
LycO O-540-E4B5 (260 hp)	12	RHM38E	REM38E	RHM38S	REM38S						
Cherokee Six PA-32 "300"											
LycO IO-540-K1A5 (300 hp)	12	RHM38E	REM38E	RHM38S	REM38S						

Most generally used plugs shown in red type. For Unshielded Spark Plugs - see pgs. 13-16. Plug Listings taken from FAA Approved Data. Please consult your aviation distributor for availability on these items.

Contact your preferred distributor for Champion factory FAA certified servicing of your spark plugs. 11



Spark Plugs

Popular Aircraft and Engines

U.S. Aircraft/Engine Specifications	Plugs Per Eng.	Massive		Fine Wire		U.S. Aircraft/Engine Specifications	Plugs Per Eng.	Massive		Fine Wire	
		Shielded						Shielded			
		3/4"-20	5/8"-24	3/4"-20	5/8"-24			3/4"-20	5/8"-24	3/4"-20	5/8"-24
PIPER (Cont'd)						SIKORSKY					
Malibu Mirage						S-51			REM37BY		
PA-46-350-P						P & W R-985 (450 hp)	18	RHM38E	REM40E	RHM38S	REM38S
LycO TIO-540-AE2A (350 hp)	12	RHB37E		RHB36S		S-55A					
		RHB32E		RHB32S		Wright R-1300 (800 hp)	14	RHB37E	REB37E	RHB36S	REB36S
PA-60-600, 600A Aerostar						S-55C			REM37BY		
2/LycO IO-540-G1B5, K1J5 (290 hp)	12	RHM38E		RHM38S		P & W R-1340 (600 hp)	18	RHM40E	REM40E	RHM38S	REM38S
PA-60-601, 601B Aerostar						S-56					
2/LycO IO-540-P1A5,S1A5 (290 hp)	12	RHB37E		RHB36S		2/P & W R-2800-50 (1800 hp)	36	RHB32E	REB32E	RHB32S	
		RHB32E		RHB32S				RHB37E	REB37E	RHB36S	REB36S
PA-60-601P Aerostar						S-58					
2/LycO IO-540-S1A5 (290 hp)	12	RHB37E		RHB36S		Wright R-1820-84 (1525 hp)	18	RHB32E		RHB32S	
		RHB32E		RHB32S		STINSON					
PA-60-602P Aerostar						Reliant V-77					
2/LycO IO-540-AA1A5 (290 hp)	12	RHB32E		RHB36S		LycO R-680-13 (300 hp)	18	RHM40E	REM40E	RHM38S	REM38S
		RHB37E		RHB32S		Vigilant V-74					
PA-60-700P						LycO R-680-13 (300 hp)	18	RHM40E	REM40E	RHM38S	REM38S
2/LycO TIO-540-UJ2A & LTIO-540-U2B (350 hp)	12	RHB37E		RHB36S		Sentinel V-76					
		RHB32E		RHB32S		LycO O-435-1 (190 hp)	12	RHM40E	REM40E	RHM38S	REM38S
REPUBLIC						105					
Seabee RC-3						Frank 4AC-199-E2 (90 hp)	8		REJ38		
Frank 6A8-215-B (215 hp)	12		REJ38			Voyager 108					
ROBINSON						Frank 6A4-150 (150 hp)	12		REJ38		
R22						Voyager 108					
LycO O-320-B (160 hp)	8	RHM40E	REM38E	RHM38S	REM38S	Frank 6A4-165 (165 hp)	12		REJ38		
		RHM38E	REM40E	RHM38S	REM38S	Voyager 108-5					
R22						Frank 6A335-B (180 hp)	12	RHB32E		RHB36S	
LycO O-320-A (150 hp)	8	RHM40E	REM40E	RHM38S	REM38S	TAYLORCRAFT					
		RHM40E	REM40E	RHM38S	REM38S	Deluxe BC12D			REM37BY		
R44						Cont A-65-8 (65 hp)	8	RHM40E	REM40E		
LycO O-540 (205 hp)	12	RHM40E	REM40E	RHM38S	REM38S	Sportsman 19			REM37BY		
		RHM40E	REM40E	RHM38S	REM38S	Cont C-85-8 (85 hp)	8	RHM40E	REM40E		
SCHEUTZON						F19			REM37BY		
B						Cont O-200-A (100 hp)	8	RHM40E	REM40E	RHM38S	
LycO IVO-360-A (180 hp)	8	RHB37E		RHB36S		F21B, F22			REM37BY		
		RHB37E		RHB36S		LycO O-235-L2C (118 hp)	8	RHM40E	REM38E		
SCHWEIZER								RHM38E	REM40E	RHM38S	REM38S
269A						Workhorse 44					
LycO O-360 (180 hp)						Wright R-1820-103					
HO-360-B (180 hp)	8	RHM40E	REM40E	RHM38S	REM38S	977C9HD1	18	RHB37E	REB37E	RHB36S	REB36S
		RHM38E	REM38E	RHM38S	REM38S						
200											
LycO HIO-360-B (180 hp)	8	RHM40E	REM40E								
		RHM38E	REM38E								
300											
LycO HIO-360-A (200 hp)	8	RHM38E	REM38E	RHM38S	REM38S						
		RHM38E	REM38E	RHM38S	REM38S						
300C											
LycO HIO-360-DIA (190 hp)	8	RHM38E	REM38E	RHM38S	REM38S						

Most generally used plugs shown in red type. For Unshielded Spark Plugs - see pgs. 13-16. Plug Listings taken from FAA Approved Data. Please consult your aviation distributor for availability on these items.

12 Contact your preferred distributor for Champion factory FAA certified servicing of your spark plugs.

Spark Plugs



Spark Plug Application By Engine Manufacturer

Engine Model	Standard Massive Electrode		Unshielded	Fine Wire Electrode	
	Shielded			Shielded	
	5/8" - 24	3/4" - 20		5/8" - 24	3/4" - 20
ALLISON V1710	REB37E	RHB37E		REB36S	
FRANKLIN ENGINE CO.					
2A4 Series	REJ38				
2A-120-A, -B		RHB32E			RHB36S
4A4 Series	REJ38				
4AC Series	REJ38				
4A-235-B, B3		RHB32E		REB36S	RHB36S
Sport 4, 4A, 4A1, 4B, 4R		RHB32E			RHB36S
6AC, 6AL, 6AG, 6A4, 6V4 Series	REJ38				
6A4-200, 6V4-200	REL37B				
6V6-245	REL37B				
6A8-215	REJ38				
6A-335-A, B, 6V335-A, -B	REL37B				REB36S
6AS-335-A, B, 6AS-350-A, -A1		RHB32E		REB36S	RHB36S
6V335-A1A, A1B	REB37E	RHB37E		REB36S	RHB36S
	REB37E	RHB37E			
6VS-335-A, -B	REB32E	RHB32E		REB36S	RHB36S
6A-350-C1,-C1A, -C2, -C2A, -D, -D1		RHB32E		REB36S	RHB36S
6V-350-A, -B		RHB32E		REB36S	RHB36S
GROB					
2500 D1/E1				REN30S	
GYPSY MAJOR	REL37B				
JACOBS AIRCRAFT ENGINE CO.					
L-4, L-5 & L-6 Series R-755	REM40E	RHM40E		REM38S	RHM38S
R-755S, R-755SM	REM38E				
KENROYCE-REARWIN All models	REM40E	RHM40E	M41E		
KINNER All models			M41E		
LAMBERT All models			M41E		
LEBLOND All models			M41E		
MENASCO All models except D4			M41E		
ORENDA All models					RHB27S
PRATT & WHITNEY	REM37BY*				
R-985 (Wasp Jr.), R-1340 (Wasp)	REM40E	RHM40E	M41E	REM38S	RHM38S
R-1830 (Twin Wasp C)	REB37E	RHB37E		REB36S	RHB36S
+ For Severe Service	REB32E+	RHB32E+			RHB32S+
R-2000 (Twin Wasp D)	REB37E	RHB37E		REB36S	RHB36S
R-2800 (Double Wasp) R-2800-97	REB37E	RHB37E			RHB36S
CA3, CA5, CA15, CA17, CA18, CA19	REB32E	RHB32E		REB36S	RHB32S
++ Rear position front row only		RHB29E++			
R-4360 (Wasp Major)	REB37E	RHB37E		REB36S	RHB36S
PEZETEL (WSK)					
ASZ-621R, (1000 h. p.), P2L-3S (600 h. p.)	REB37E	RHB37E		REB36S	RHB36S
RANGER All 18 mm Short Reach	REM40E	RHM40E	M41E	REM38S	RHM38S
ROLLS-ROYCE - Merlin, Griffon					RHL27S RHL28S
RUSSIAN ENGINES M14 Most Series	REL37B			RVL38S**	
TELEDYNE CONTINENTAL MOTORS	REM37BY*				
A-65, A-75	REM40E	RHM40E	M41E	REM38S	RHM38S
C75, C-85, C-90, C-115, C-125	REM37BY*				
	REM40E	RHM40E	M41E	REM38S	RHM38S
E-165, E-185, E-225	REM40E	RHM40E	M41E	REM38S	RHM38S
E-165, E-185, E-225 (14mm Bushing)	REJ38				

* Use REM37BY when encountering lead fouling. ** Uses Metric Connector

Contact your preferred distributor for Champion factory FAA certified servicing of your spark plugs. 13



Spark Plugs

Spark Plug Application By Engine Manufacturer

Engine Model	Standard Massive Electrode Shielded		Unshielded	Fine Wire Electrode Shielded	
	5/8" - 24	3/4" - 20		5/8" - 24	3/4" - 20
TELEDYNE CONTINENTAL MOTORS (Cont'd)					
O-200-A, -B, -C	REM37BY* REM40E	RHM40E	M41E	REM38S	RHB36S RHM38S
IO-240	REM38E	RHM38E		REM38S	RHM38S
GO-300-A, -B, -C, -D, -E, -F O-300-A, -B, -C, -D, -E, C-145	REM37BY* REM40E REM38E	RHM40E RHM38E	M41E	REM38S	RHM38S
IO-346-A, -B	REM40E REM38E	RHM40E RHM38E		REM38S	RHM38S
IO-360-A, -AB, -C, -CB, -D, -E, -G, -GB, -H, -HB, -J, -JB, -K, -KB	REM38E	RHM38E		REM38S	RHM38S
IO-360-B	REM40E	RHM40E		REM38S	RHM38S
TSIO-360-A, -AB, -B, -C, -CB, -D, -DB, -E, -EB, -F, -FB, -G, -GB, -H, -HB, -JG, -K, -KB, -LB, -MB, LTSIO-360-E, -EB, -K, -KB	REM38E	RHM38E		REM38S	RHM38S
O-470-2	REM38E	RHM38E		REM38S	RHM38S
O-470-4, -11, -13, -13A, -15	REM40E	RHM40E		REM38S	RHM38S
O-470-A, -E, -J, -K, -L, -R, -S	REM40E	RHM40E		REM38S	RHM38S
O-470-B, -G, -H, -M, -N, -P	REM40E REM38E	RHM40E RHM38E		REM38S	RHM38S
O-470-T, -U		RHB32E			RHB32S
IO-470-C, -G, -P, -R, -T	REM40E REM38E	RHM40E RHM38E		REM38S	RHM38S
IO-470-J, -K	REM40E	RHM40E		REM38S	RHM38S
IO-470-D, -E, -F, -H, -L, -M, -N, -S, -U, -V, -VO, -LO		RHB32E			RHB36S RHB32S
GIO-470-A		RHB32E			RHB36S RHB32S
LIO-470-A	REM40E REM38E	RHM40E RHM38E		REM38S	RHM38S
TSIO-470-B, -C, -D		RHB32E			RHB36S RHB32S RHB36S
IO-520-A, -B, -BA, -BB, -C, -CB, -D, -E, -F, -J, -K, -L, -M, -MB, -N, -NB		RHB32E		RHB32S	
TSIO-520-A, -B, -BB, -BE, -C, -CE, -D, -DB, -E, -EB, -F, -G, -H, -J, -JB, -K, -KB, -L, -M, -N, -NB, -P, -R, -T, -U, -UB, -V, -VB, -WB, -AE, -AF					RHB32S RHB36S
LTSIO-520-AE		RHB32E			RHB32S RHB36S
GTSIO-520-C, -D, -E, -F, -G, -H, -K, -L, -M, -N		RHB32E			RHB32S RHB36S
TSIO-550-A, -B, -C,		RHB32E			RHB32S
IO-550-A, -B, -C, -D, -E, -F, -G, -L, -N, -P, -R		RHB32E			RHB36S RHB32S
TSIOL-550-A, -B		RHU32E			RHU32S
6-285-B, -BA, -C, -CA, 6-320-A, -B		RHU27E			
W-670	REM40E	RHM40E	M41E	REM38S	RHM38S
R9A	REB37E	RHB37E		REB36S	RHB36S
TEXTRON LYCOMING					
O-145, GO-145			M41E		
O-235-C, -E, -H	REM40E REM38E REM37BY*	RHM40E	M41E	REM38S	RHM38S
O-235-F, -G, -J				REM38S	
O-235-K, -L, -M, -N, -P	REM40E REM38E REM37BY*	RHM40E RHM38E		REM38S	RHM38S
O-290 Series	REM40E REM38E REM37BY*	RHM40E	M41E	REM38S	RHM38S
O-320-A, -C, -E	REM37BY*	RHM40E	M41E	REM38S	RHM38S
O-320-B, -D, -H	REM40E				
AIO-320, LIO-320-B, IO-320-B, -C, -D, AEIO-320-A, -B, -C, -D	REM38E	RHM40E			

* Use REM37BY when encountering lead fouling.

14 Contact your preferred distributor for Champion factory FAA certified servicing of your spark plugs.

Spark Plugs



Spark Plug Application By Engine Manufacturer

Engine Model	Standard Massive Electrode		Unshielded	Fine Wire Electrode	
	Shielded			Shielded	
	5/8" - 24	3/4" - 20		5/8" - 24	3/4" - 20
TEXTRON LYCOMING (Cont'd)					
IO-320-A, -B, -D, -E	REM37BY* REM40E	RHM38E		REM38S	RHM38S
AEIO-320-E	REM37BY*	RHM40E		REM38S	RHM38S
IO-320-C, -F, LIO-320-C (Long Reach)	REB37E	RHB37E		REB36S	RHB36S
O-340-A	REM40E	RHM40E		REM38S	RHM38S
O-340-B	REM38E	RHM38E		REM38S	RHM38S
O-360-A, -C, -E, -F	REM40E	RHM40E			
IO-360-B, -E, -F, -H, -L	REM38E	RHM40E			
AEIO-360-B, -C, -H, HO-360-A	REM37BY*	RHM38E		REM38S	RHM38S
O-360-B, -D	REM40E REM37BY*	RHM40E		REM38S	RHM38S
IO-360-A, -C, -D, -J, LIO-360-E	REM38E REM37BY*	RHM38E		REM38S	RHM38S
LO-360-A1G6D, O-360-E1A6D	REM40E				
LO-360-E1A6D	REM38E	RHM40E			
LO-360-C	REM37BY*	RHM38E		REM38S	RHM38S
IO-360-A, IO-360-C1F					
IO-360-F (Long Reach)					
IVO-360	REB37E	RHB37E		REB36S	RHB36S
AIO-360-A,	REM38E				
LIO-360-C, AEIO-360-A	REM37BY*	RHM38E		REM38S	RHM38S
HIO-360-A, -D	REM38E	RHM38E		REM38S	RHM38S
HO-360-B, HIO-360-A, -B	REM40E REM38E	RHM40E RHM38E		REM38S	RHM38S
TIO-360-A, -B, AEIO-360-A (Long Reach)	REB37E	RHB37E		REB36S	RHB36S
HIO-360-E1AD, -E1BD, -F1AD					
LHIO-360-F1AD, IVO-360-A	REB32E	RHB32E			RHB32S
TO-360-A1A6D, TO-360-C1A6D, TO-360-E		RHB37E			RHB36S
TO-360-F1A6D, LTO-360-A1A6D, LTO-360-E	REB37E	RHB32E		REB36S	RHB32S
VO-360-A, -B	REM40E REM38E	RHM40E RHM38E		REM38S	RHM38S
O-435-A, -C	REM40E REM38E	RHM40E		REM38S	RHM38S
O-435-K, K1	REM40E REM38E	RHM40E RHM38E		REM38S	RHM38S
GO-435-C, -D Series	REM38E	RHM38E		REM38S	RHM38S
VO-435-A, TVO-435-A (Short Reach)	REM38E	RHM38E		REM38S	RHM38S
VO-435-A, -B (Long Reach)					
TVO-435-A, -B, -C, -D, -E, -F, -G (Long Reach)	REB37E	RHB37E			RHB36S
O-435-23-25	REB32E	RHB32E		REB36S	RHB32S
GO-480-B, -D, -F	REM40E REM38E	RHM40E RHM38E		REM38S	RHM38S
GO-480-C, -G (Short Reach)	REM38E	RHM38E		REM38S	RHM38S
		RHB37E			RHB36S
GO-480-G1, G2 (Long Reach)	REB37E	RHB32E		REB36S	RHB32S
GSO-480-A, -B (Short Reach)	REM38E	RHM38E		REM38S	RHM38S
GSO-480-A, -B (Long Reach)	REB37E	RHB37E		REB36S	RHB36S
IGSO-480-A (Short Reach)	REM38E	RHM38E		REM38E	RHM38S
IGSO-480-A (Long Reach)					
IGO-480-A	REB37E	RHB37E			RHB36S
O-480-1-3	REB32E	RHB32E		REB36S	RHB32S

* Use REM37BY when encountering lead fouling.

Contact your preferred distributor for Champion factory FAA certified servicing of your spark plugs. 15



Spark Plugs

Spark Plug Application By Engine Manufacturer

Engine Model	Standard Massive Electrode Shielded		Unshielded	Fine Wire Electrode Shielded	
	5/8" - 24	3/4" - 20		5/8" - 24	3/4" - 20
TEXTRON LYCOMING (Cont'd)					
O-540-A, -D, -E, -F, -G, -H, -J, -J3A5	REM40E REM38E	RHM40E RHM38E		REM38S	RHM38S
O-540-B	REM40E	RHM40E	M41E	REM38S	RHM38S
IO-540-A, -B, -E, -G, -K, -L, -M, -P, -S, -U (Short Reach)	REM38E	RHM38E		REM38S	RHM38S
IO-540-C, -D, -J, -N, -T, -V	REM40E	RHM40E			
AEIO-540-D, -L	REM38E	RHM38E		REM38S	RHM38S
IO-540-AA, -E, -G, -J, -K, -M, -P, -R, -S, -U	REB37E	RHB37E			RHB36S
O-540-L3C5D, M1B5D (Long Reach)	REB32E	RHB32E		REB36S	RHB32S
VO-540-A, -B, -C (Short Reach)	REM38E	RHM38E		REM38S	RHM38S
O-540-9					
VO-540-Series					
IVO-540 Series (Long Reach)	REB37E	RHB37E		REB36S	RHB36S
IGO-540-A, -B (Short Reach)	REM38E	RHM38E		REM38S	RHM38S
IGO-540-A, -B (Long Reach)	REB37E	RHB37E		REB36S	RHB36S
TIO-540-A, -C, -E, -F, -G, -H, -J, -K, -N, -R, -S, -T	REB37E	RHB37E			RHB36S
TIVO-540-A	REB32E	RHB32E		REB36S	RHB32S
IGSO-540-B (Short Reach)	REM38E	RHM38E		REM38S	RHM38S
IGO-540-A, -B	REB37E	RHB37E			RHB36S
IGSO-540-A, -B (Long Reach)	REB32E	RHB32E		REB36S	RHB32S
	REB37E	RHB37E			RHB36S
LTIO-540-F, -J, -N, -R	REB32E	RHB32E		REB36S	RHB32S
	REB37E	RHB37E			RHB36S
TIO-541-A, -E	REB32E	RHB32E		REB36S	RHB32S
	REB37E	RHB37E			RHB36S
TIGO-541-A, -E	REB32E	RHB32E		REB36S	RHB32S
IO-580-A		RHB37E			
R-680	REM40E	RHM40E		REM38S	RHM38S
IO-720-A, -B, -C, -D (Short Reach)	REM38E	RHM38E		REM38S	RHM38S
	REB37E	RHB37E			RHB36S
IO-720-A, -B, -C, -D (Long Reach)	REB32E	RHB32E		REB36S	RHB32S
WARNER (All Models)	REM40E	RHM40E	M41E	REM38S	RHM38S
WRIGHT AERONAUTICAL					
R-540	REM40E	RHM40E			
Whirlwind R-760, R-975 (1/2" Rch.)	REM40E	RHM40E	M41E	REM38S	RHM38S
Cyclone 9N with 1/2" insert depth (R-1820)	REM40E	RHM40E	M41E	REM38S	RHM38S
Whirlwind R-760, R-975 (18mm 13/16" Rch.)	REB37E	RHB37E		REB36S	RHB36S
Cyclone R-1300	REB37E	RHB37E		REB36S	RHB36S
Cyclone R-1820 Series (Except F & HE)	REB37E	RHB37E		REB36S	RHB36S
Cyclone R-2600 Series	REB37E	RHB37E		REB36S	RHB36S
Cyclone R-1820-84 (C9HE Series)		RHB32E			RHB32S
Cyclone R-3350, C18BA, C18BD	REB37E	RHB37E		REB36S	RHB36S
Cyclone R-3350-C18CB1		RHB29E			
Cyclone R-3350-DA1, -2, -3, -4, EA1, -2, -3		RHB29E			
Cyclone R-3350-EA4, -5, -6		RHB29E			

Additional R-3350 plugs Available for Racing Applications only - Contact Champion Aerospace, Inc. Regarding this Application.

16 Contact your preferred distributor for Champion factory FAA certified servicing of your spark plugs.

Spark Plugs



Other U.S. Aircraft and Piston Aircraft

Make & Model	Engine	Plugs Per Eng.	Make & Model	Engine	Plugs Per Eng.
AERONCA			Havoc A20G		
LA, LB	LeBlond (70 hp), (85 hp)	10	DC-2	2/Wright R-2600-23	28
LC	Warner Scarab Jr. 50	10	Skytrain DC-3, C49	Wright SGR-1820, F3, F52, 25	18
KC	Cont A-40	8	DC-3A, C47, C53, C112	2/Wright R-1820-G102, G202A	18
50-C	Cont A-50	8	Skymaster DC-4	2/P & W R-1830-90, -92, -94	28
50-F	Franklin 4AC-150	8	Liftmaster DC-6	4/P & W R-2000	28
59-L	Lyco O-145	8	DC-7	4/P & W R-2800-CB16, -17	36
60-TF	Cont A-65	8	DOWNER		
65-LA	Lyco O-145	8	14-19	Lyco O-435-A	12
O-58B	Cont O-170-3 (Equiv. A65)	8	14-19-2	Cont O-470-K	12
Champion L-16B	Cont A-65-8	8	14-19-3	Cont IO-470-F	12
AIRCRAFT MFG. COMPANY			260B	Cont IO-470-F	12
Texas Bullet 205	Cont E-185-1	12	Viking 300	Cont IO-520-D	12
ALON, INC.			DOYN AIRCRAFT		
A-2	Cont C-90-16F	8	Cessna 150 Modified	Lyco O-320	8
A-4	Lyco O-320-A	8	Cessna 177 Modified	Lyco O-360	8
ANDERSON-GREENWOOD			FLETCHER		
AG-5	Cont C-90	8	Utility FU-24	Cont O-470-E, N	12
BAUMANN			FU-24A	Cont IO-470-D	12
Brigadier B-290	Cont C-145-2	12	FU-24B	Cont GIO-470-A	12
Deluxe Brigadier B-360	2/Lyco O-360	8	Stanley	Cont V-1430	24
Super Brigadier B-480	2/Cont O-470-B	12	FORD		
BEE AVIATION			4-AT-E Trimotor	3/Wright R-975	18
Honey Bee	Cont A-65	8	5-AT-B Trimotor	3/P & W R-985	18
Queen Bee	Lyco O-320	8	FORNAIRE		
BOEING			Aircoupe E, G	Cont C-75, C-85	8
247D	2/P & W R-1340, R985	18	Aircoupe F-1, F1A	Cont C-90	8
Stratoliner 307B	Wright R-1820-G105A, G205A	18	HOWARD		
Fortress B-17G	4/Wright R-1820-97	18	DGA-8	Wright R-760-E2	14
Stearman 75, PT-17	Cont W-670	14	DGA-9	Jacobs L-5	14
Stearman 75, PT-13	Lyco R-680	18	DGA-11	P & W R-985	18
Stearman 75 (Modified)	P & W R-985	18	DGA-12	Jacobs L-6	14
Stratocruiser B377	4/P & W R-4360	56	DGA-15P	P & W R-985-AN-12	18
CAMAIR			HOWARD AERO		
480	2/Cont O-470-B	12	Super Ventura 237 (Converted)	2/P & W R-2800-CB	36
CENTRAL-LAMSON			LANE AIRCRAFT		
Air Tractor L-101	P & W R-985	18	Riviera	Cont IO-470-P	12
CONVAIR			LARK AVIATION		
Liberator C-87	4/P & W R-1830-43	28	Lark 95	Cont C-90	8
Catalina PBY-5A	2/P & W R-1830-92	28	LEAR		
(Modified Version)	2/Wright R-2600-29	28	Learstar	2/Wright R-1820, C-9HD	18
240, 340, 440	2/P & W R-2800 C Series	36	LOCKHEED		
CULVER (Superior)			Electra 10, 10A	2/P & W R-985-SB2	18
Cadet LCA	Cont A-75	8	Electra 10B	2/Wright R-975-E3	18
V	Cont C-85	8	Electra 10C	2/P & W R-1340, S3H-1	18
CURTISS-WRIGHT			Electra 12A	2/P & W R-985-SB2	18
Falcon CW-22, SNC-1	Wright R-975-E3	18	Super Electra 14-H-2	2/P & W R-1690	18
Commando C-46	2/P & W R-2800-51, -75, -79	36	Super Electra 14-F62	2/Wright GR-1820, -F62	18
(Modified Version)	2/P & W R-2800-CB16	36	Super Electra 14-G3B	2/Wright GR-1820, -G3B	18
Satellite	Cont C-90	8	Lodestar 18-56	2/Wright R-1820, G-202A, G205A	18
LFA	Franklin 4AC-176-D2	8	Lodestar 18-08	2/P & W R-1830-92, S1C3G	28
DAVIS AIRCRAFT			Hudson 414	2/Wright R-1820, G205A	18
DA-1	Lyco O-360-A1A	8	Ventura 237	2/P & W R-2800, S1A4G	36
DOUGLAS			Constellation 049	4/Wright R-3350, -BA3	36
Bolo B-18A	2/Wright R-1820	18	Constellation 649, 749	4/Wright R-3350, BD1	36
Dragon B-23	2/Wright R-2600-29	28	Constellation 1049	4/Wright R-3350, CB1	36
Invader B-26	2/P & W R-2800-27	36	Super Constellation 1049C,G,H	4/Wright R-3350-DA	36
Dolphin D-117	W R-985	18	Starliner 1649	4/Wright R-3350-EA	36
			402-2	Cont IO-470-R, TSIO-470-B	12

Contact your preferred distributor for Champion factory FAA certified servicing of your spark plugs. 17



Spark Plugs

Other U.S. Aircraft and Piston Engines

Make & Model	Engine	Plugs Per Eng.	Make & Model	Engine	Plugs Per Eng.
MARTIN			SPACE ENTERPRISES		
202, 404	2/P & W R-2800-CA, -CB	36	Spacecoupe AG-14	Cont C-90	8
Marauder B26	2/P & W R-2800-83AM8	36	SPARTON		
MONOCOUCPE			Executive 7-W	P & W R-985	18
90A	Warner Scarab 125 & 145	14	STITS		
90AF	Franklin 4AC-199-E3	8	Skycoupe SA9A	Cont C-90-12F	8
90AL-115	Lyco O-235-C	8	Skycoupe SA9B	Cont O-200-A	8
90AL-125	Lyco O-290-A	8	TEMCO		
Meteor 2	2/Lyco O-320	8	Swift GC-1A	Cont C-85	8
MORRISEY (Shinn)			Swift GC-1B	Cont C-125	12
2000C	Cont C-90-14F	8	Swift GC-1B (Modified)	Cont C-145	12
2150	Lyco O-320-A2A	8	Swift GC-1B (Modified)	Lyco O-320-A	8
NAVAL AIRCRAFT FACTORY			TRANSLAND		
N3N-3	Wright R-760-8	14	AG-2	P & W R-985, R-1340	18
N3N-3 (Modified)	P & W R-985	18	TRECKER		
NORTH AMERICAN			Royal Gull L-1	2/Lyco GO-480-B1B	12
Mitchell B-25	2/Wright R-2600-29	28	Super Gull L-2	2/Lyco GSO-480-A1A6	12
Texan T-6	P & W R-1340-AN1	18	VARGA		
T28A	Wright R-1300	14	Kachina 2150A	Lyco O-320-A	8
OAKLAND AIRMOTIVE (Fleet)			VECTO MFG.		
Super V	2/Lyco. O-360-A1A	8	Geronimo	2/Lyco O-360-A1A	8
OLSON AIRCRAFT			VULTEE		
Ambassador	Cont O-200-A	8	Valiant 54, BT-13, SNV	P & W R-985-AN1	18
ON MARK ENGINEERING CO.			WACO		
Marksman B26K	2/P & W R-2800	36	ZVN-7	Jacobs L-5	14
RILEY & TEMCO			ZVN-8	Jacobs L-6	14
Twin Navion	2/Lyco O-320-A2A	8	YMF-5	Jacobs R755B2	14
Riley Navion	2/Lyco O-340-A1A	8	WACO AIRCRAFT DIVISION		
Temco Model 58	2/GSO-480-A1A6	12	S-220 Vela		
310R	2/Cont IO-470-D	12	Frank 6A-350-C1		12
Riley Rocket	2/Lyco IO-540-A1A5	12	TS-250-5 Vega	Frank 6A-350	12
Turbo Executive 400	2/Lyco IO-720-A	16	M220-4 Minerva	Frank 6A-350-C1	12
(Converted DeHaviland Dove)			SF-260-3 Meteor Mk. I	Lyco O-540-E	
Turbo Skyliner	4/Lyco IO-540	12	TS-250-3F Meteor Mk. II	Frank 6A-350-C1	12
(Converted Heron)			WEATHERLY AVIATION		
ROBERTSON AIRCRAFT			Model 201A	P & W R-985	18
Cessna 180 Modified	Cont. TSIO-520-C	12	WINDECKER RESEARCH		
SNOW AERONAUTICAL			Eagle I	Cont IO-520	12
S-2A	Cont W-670, Jacobs R-755	14	WING AIRCRAFT		
S-2B	P & W R-985, R-1340	18	Derringer	2/Lyco IO-320-B	8
			WREN AIRCRAFT		
			Wren 460	Cont O-470-R	12

U.S. Helicopter and Piston Engines

Make & Model	Engine	Plugs Per Eng.	Make & Model	Engine	Plugs Per Eng.
BELL			DOMAN		
Utility 47G	Frank 6V4-200-C32	12	LZ-5-1, -2	Lyco SO-580-A1B	16
Utility 47G-2	Lyco VO-435-A1B	12	D-11	Lyco SO-580-A1B	16
Utility 47G-3B	Lyco TVO-435A	12	ENSTROM		
Utility 47G-3B1, 47G-3B2	Lyco TVO-435-B1A	12	F28A, C, F280C,	Lyco HIO-360-E	8
Utility 47G-3	Frank 6VS-335	12	F28BF, 28F, 280F,	Lyco TIO-360-B2A	8
Utility 47G-4, 47G-4A	Lyco VO-540-B1B3	12	Shark, 280FX, 280L	Lyco HIO-360-F1AD	8
Bellarus 47H, 47H-1	Frank 6V4-200-C32	12	HILLER		
Ranger 47J, 47G-5, 47G-5A	Lyco VO-435-A1B, B1A	12	UH-12B	Frank 6V4-200-C33	12
Ranger 47J2	Lyco VO-540-B	12	UH-12C	Frank 6V-335-B	12
BRANTLY			UH-12D	Lyco VO-435-A1C	12
B-2	Lyco VO-360-A1A	8	UH-12E, 12E4	Lyco VO-540-C2A	12
B-2	Lyco HO-360-B1B	8	UH-12L	Lyco VO-540-C	12
B2B	Lyco IVO-360	8	SL 3/4	Lyco TIVO-540-A	12
305	Lyco VO-540-B	12			
305A	Lyco IVO-540-A1A	12			

18 Contact your preferred distributor for Champion factory FAA certified servicing of your spark plugs.

Spark Plugs



U.S. Helicopter and Piston Engines

Make & Model	Engine	Plugs Per Eng.	Make & Model	Engine	Plugs Per Eng.
HYNES			SCHWEIZER		
H-2	Lyco IVO-360-A1A	8	200	Lyco HIO-360-B	8
H-5	Lyco IVO-540-A1A	8	269-A	Lyco O-360-C2B	8
JOVAIR CORP.			300	Lyco HIO-360-A	8
4E Sedan	Frank 6V-335	12	300-C	Lyco HIO-360-D1A	8
KAMAN			SIKORSKY		
K-240	Lyco O-435-4	12	S-51	P & W R-985-B4	18
OMEGA			S-55A	Wright R-1300-3	14
BS-12SR/BS-12SC	2/Frank 6A-335-A	12	S-55C	P & W R-1340-57	18
BS-12A	2/Lyco O-540-F	12	S-56	2/P & W R-2800-50	36
ROBINSON			S-58	Wright R-1820-84	18
R22 Alpha	Lyco O-320-B2C	8	VERTOL		
SCHEUTZON			Workhorse 44	Wright R-1820-103-977C9HD1	18
Model B	Lyco IVO-360-A	8			

International Aircraft Using U.S. Piston Engines

Make & Model	Engine	Plugs Per Eng.	Make & Model	Engine	Plugs Per Eng.
ARGENTINA AERO BOREO			EMBRAER		
Model 95	Cont C-90-12F	8	Corisco EMB-711ST	Cont TSIO-360-FB1	12
Model 115	Lyco O-235-C2A	8	Ipanema EMB-200	Lyco O-540-H2B5D	12
Model 150	Lyco O-320	8	Ipanema EMB-200A	Lyco O-540-H1B5D	12
Model 180	Lyco O-360-A	8	Ipanema EMB-201	Lyco O-540-K1J5D	12
Model 260	Lyco O-540	12	Minuano EMB-720D	Lyco IO-540-K1G5	12
AVIONES LOCKHEED-KAISER			Seneca EMB-810D	Cont L/TSIO-360	12
CL-402	Cont IO-470-R & TSIO -470	12	Sertanejo EMB-721	Lyco IO-540-K1G5D	12
I.A.E.			Tupi EMB-712	Lyco O-360-A4M	8
Calquin 24	2/P & W R-1830-SC-G	28	FABRICA DO GALLEAO		
Model 45	2/Lyco O-320-A	8	Niess Maranhao	Cont C-85	8
Model 46 Ranquel	Lyco O-320-A	8	FOKKER		
Model IA-46 180 Ranquel	Lyco O-360-A1A	8	S-11	Lyco O-435	12
PETROLINI			NEIVA		
El Boyero	Cont A-65	8	IPD 5802	Lyco O-320-A	8
AUSTRALIA COMMONWEALTH			Paulistinha	Frank 4AC-176-B2	8
Ceres CA-28	P & W R-1340, S3H1	18	Paulistinha 56	Cont C-90-8F	8
Transavia	PL 12/T-300 & PL 12/T-400	12	Regente	Lyco O-360-A	8
Wackett	Warner Super Scarab	14	Universal T-25	Lyco IO-540-K1D5	12
Winjeel CA-25	P & W R-985-SB3	18	OMAREAL		
Wirraway 3	P & W R-1340, S1H1	18	Casmuniz 52	2/Cont E-185-11	12
DE HAVILLAND			CANADA		
Drover DHA-3	3/Lyco O-360-A	8	AVRO (Federal)		
VICTA AVIATION LTD.			Anson 5	P & W R-985-AN-12B	18
Airtourer 100	Cont O-200-A	8	C.C.F.		
Airtourer 115	Lyco O-235-C1	8	Norsman V	P & W R-1340, S3H1	18
YOEMAN AVIATION			CANADAIR		
YA-1 Cropmaster	Lyco 540-A1A5	12	CL215	2/P & W R-2800-CA-3	36
AUSTRIA			DE HAVILLAND		
GRAZ-PAUKER			Beaver DHC-2	P & W R-985	18
Flamingo M-222	2/Lyco O-320-A	8	Otter DHC-3	P & W R-1340, S3H1	18
Flamingo SPG222	2/Lyco IO-360	8	Caribou DHC-4	2/P & W R-2000-D5	28
BELGIUM			FAIRCHILD		
AVIONS FAIREY			Husky F11	P & W R-985-SB3	18
Typsy Junior	Cont A-65	8	FLEET		
BRAZIL			Canuch 80	Cont C-85-12J	8
AEROTEC			FOUND BROS. AVIATION		
Uirapuru T-23	Lyco O-320-B2B	8	FBA-2A, FBA-2C	Lyco O-540-A1D	12
			100 Centennial	Lyco IO-540-G	12
			NORTHWEST INDUSTRIES		
			Ranger	Lyco IO-720-A	16

Contact your preferred distributor for Champion factory FAA certified servicing of your spark plugs. 19



Spark Plugs

International Aircraft Using U.S. Piston Engines

Make & Model	Engine	Plugs Per Eng.	Make & Model	Engine	Plugs Per Eng.
CHILE			JODEL		
FANAERO			D-112	Cont A-65	8
Chincol	Cont O-470-11	12	D-120	Cont C-90	8
CHINA, REPUBLIC OF (Taiwan)			D-140	Lyco O-360	8
A.I.D.C.			JURCA		
PL1B	Lyco O-320-E2A	8	M.J. 2 Tempete	Cont A-65	8
CZECHOSLOVAKIA ZLIN			LATECOERE		
50LS	Lyco AEIO-540-L1B5D	12	631	6/Wright R-2600-20	28
EGYPT			LEGRAND-SIMON		
HELIOPOLIS AIRWORKS			LS-50	Cont C-90	8
Gomhouria MK-2	Cont C-145	12	MATRA AIRCRAFT		
MK-6	Cont O-300	12	Magnet Jupiter	2/Lyco IO-360-A	12
FINLAND			MAX HOLSTE		
HEINONEN			Broussard M.H. 1521	P & W R-985	18
HK-1	Cont A-65	8	Super Broussard MH-250	2/P & W R-1340	18
VALMET			Major Broussard MH-350	2/Cont GIO-470-A	12
L-70	Lyco AEIO-360-A1B6	8	MORANE-SAULNIER		
PIK-11	Cont A-65-8	8	RALLYE		
PIK-23	Lyco O-360-A4M	8	MS-880	Cont C-90, O-200	8
Tuuli TL-111	Cont O-470-A	12	MS-885	Lyco O-320-A	8
FRANCE			MS-890	Lyco O-360	8
ADAM			MS-893	Lyco IO-360	8
Loisers R.A. 14	Cont A-65-8	8	PIEL		
Major R.A. 15	Cont C-75	8	Emeraude C.P. 301	Cont C-90-12F	8
SOCATA			POTEZ-SEEMS		
TB9 Tampico	Lyco O-320-D2A	8	MS-885 Super Rallye	Cont O-300	12
TB10 Tobago	Lyco O-360-A1AD	8	REIMS AVIATION		
TB20 Trinidad	Lyco IO-540-C4D5D	12	F150, FA150	Cont O-200-A	8
TB21 Trinidad TC	Lyco TIO-540-ABIAD	12	FRA150L, M	RR/Cont O-240	8
TB30	Lyco AEIO-540-L1B5D	12	F172D thru K	RR/Cont O-300-A	12
AUBERT			F172L, M	Lyco O-320-E	8
Cigale PA-204L	Lyco O-320	8	FR172 Rocket	RR/Cont IO-360-D	12
Super Cigale	Lyco O-360	8	F177RG Cardinal	Lyco IO-360-A	8
AVIONS PIERRE ROBIN			A182J thru N	Cont O-470-R	12
Dauphin	Lyco O-235-L2A	8	F337	2/RR/Cont IO-360-C & D	12
Major	Lyco O-320-D2A	8	FT337 Super Skymaster	2/Cont TSIO-360-C	12
Regent, Remorqueur	Lyco O-360-A3A	8	ROBIN (CEA)		
8R2160, R3000	Lyco O-320-D2A	8	2 + 2 Tricycle	Lyco O-235-C	8
BOISAVIA			Cadet, Petit Prince	Lyco O-235-C	8
Mercury B-601	Lyco O-435-1	12	Chevalier	Lyco O-320-D	8
(<i>Equiv. O-435-K, -K1</i>)	Cont E-165-4	12	Major 160	Lyco O-320-E	8
Mercury B-602, B-60	Lyco O-320	8	Prince	Lyco O-360-D	8
BREQUET			Regent	Lyco O-360-A	8
Provence 763	4/P & W R-2800-CA18	36	HR-100	Lyco IO-360	8
BROCHET			HR-100	Lyco O-540-B	12
M.B. 120	Cont C-90	8	HR-100	Cont 6A-285	12
C.A.B.			SCINTEX		
Minicab GY-20	Cont A-65-8	8	ML .250 Rubis	Lyco O-540-A	12
Supercab GY-30	Cont C-90	8	SIPA		
CENTRE-EST			S-91	Cont C-85-12F	8
DR-100	Cont C-90	8	S-94	Cont C-90-8-F	8
Ambassadeur DR-1050	Cont O-200	8	Coccinelle S-1000	Cont C-90-12F	8
DRUINE			S-1100	2/P & W R-1340	18
Condor DO-61	Cont A-65	8	S.N.C.A.N		
Condor DO-62	Cont C-90	8	Nord 2503	2/P & W R-2800-CB17	36
GARDAN			SOCATA		
Horizon GY-80	Lyco O-320-A	8	Gabier R235F	Lyco O-540-B4B5	12
HUREL-DUBIOS			Diplomate, Provence ST-10	Lyco IO-360-C	8
H.D. 34, 321	2/Wright R-1820	18	Rallye Club	RR/Cont O-200-A	8
			Rallye Minerva	Franklin 6A-350-C1	12
			Rallye Commodore	Lyco O-360-A	8
			Rallye 7	Lyco IO-540-K	12
			Tampico TB9	Lyco O-320-D2A	8
			Tobago TB10	Lyco O-360-A1AD	8
			Trinidad TB20	Lyco IO-540-C4D5D	12
			Trinidad TB21	Lyco TIO-540-AB1AD	12

20 Contact your preferred distributor for Champion factory FAA certified servicing of your spark plugs.

Spark Plugs



International Aircraft Using U.S. Piston Engines

Make & Model	Engine	Plugs Per Eng.	Make & Model	Engine	Plugs Per Eng.
FRANCE (Cont'd)			BRITTEN-NORMAN		
SUD-EST			BN-2B-21 Islander	2/Lyco IO-540-KIB5	12
Languedoc S.E. 161	4/P & W R-1830-92	28	BN-2 Islander	2/Lyco O-540-E	12
Bretagne S.O. 30P	2/P & W R-2800-CA18	36	BN-2A-2 Islander	2/Lyco IO-540	12
WASSMER			BN-2A Trislander	3/Lyco O-540-E	12
D-120	Cont C-90	8	BROOKLANDS		
Super 4 Sancy	Lyco O-360-A	8	DA-7 Optica Scout	Lyco IO-540	12
Super 4/21-235	Lyco O-540-B2B	12	NORMAN		
Super 4/21-250	Lyco O-540-A	12	NAC-1 Freelance	Lyco O-360	8
Super 4 Baladou WA-41	Lyco O-360-A	8	PERCIVAL		
Super 4 Sancy WA-40A	Lyco O-360-A	8	E.P. 9	Lyco GO-480-B	12
Pacific WA51	Lyco O-320-E	8	Prospector	Lyco GO-480-G1A6	12
GERMANY			SCOTTISH-AVIATION		
BOELKOW/MBB			Twin Pioneer	2/P & W R-1340	18
BO-207	Lyco O-360-A1A	8	SHORT		
BO-208 A/C	Cont O-200-A	8	Sandringham	4/P & W R-1830-90C	28
BO-209	Lyco 320-E2F	8	INDIA		
BO-209C	Cont O-240-A	8	HINDUSTAN		
BUECKER			Basant HA-31	Lyco IO-720-C	16
BU-181B1	Lyco O-235-C	8	Pushpak	Cont C-90	8
131 Lerche	Lyco IO-360-B1B	8	INDONESIA		
DORNIER			ANGKATAN		
DO-27A, -27B-2/3, -27Q-1/4/5	Lyco GO-480-B1A6	12	NU-85 Grasshopper	Cont C-85, C-90	8
DO-27B-1	Lyco IO-540-A1D	12	NU-225 Sikumbag	Cont O-470-J	12
DO-27H-2	Lyco GSO-480-B1A6	12	ITALY		
DO-28A-1	Lyco O-540-A1D	12	AGUSTA		
DO-28B-1	Lyco IO-540-A1A5	12	P.111 (Equiv. O-435-K, -K1)	Lyco O-435-1	12
DO-28D-1/D-2	Lyco IGSO-540-A1E	12	47G	Franklin 6V4-200	12
EQUATOR AIRCRAFT GMBH			47G-2, 47J	Lyco VO-435	12
P-300, 350	Lyco TIO-540	12	Model 102	P & W R-1340	18
P-400	Lyco IO-720	16	ALAPARMA		
P-420	2/Lyco TO-360	8	Montelli AM-10	Cont A-65	8
P-450	Lyco TIGO-540	12	AMBROSINI		
GROB			Rondone	Cont C-90	8
G115 / G115A	Lyco O-235-H2	8	Rondone	Lyco O-290-D2	8
G115B	Lyco O-320-D1A, -D2A, -D3G	8	AVIMILANO		
G115C	Lyco O-320-DIA	8	Falco F-8	Lyco O-290-D2	8
G115C2	Lyco O-360-A1F6	8	Falco F-8L	Lyco O-320	8
G115D	Lyco AEI0-360-B1F	8	Nibbio F-14	Lyco O-360	8
G115D2	Lyco AEI0-320-D1B	8	Scricciolo P-19	Cont C-90-12F	8
G115T	Lyco AEI0-540-D4A5	12	FIAT		
KLEMM			G-49-2	P & W R-1340	18
KL 107 B/C	Lyco O-320-A2A	8	LUALDI		
RHEIN-FLUGZEUGBAU GMBH			L-55	Lyco O-360	8
X114	Lyco IO-360	8	MACCHI		
SCHEIBE			M.B. 308	Cont C-85, C-90	8
SF 23/A/A1/B	Cont C-90-12F	8	M.B. 320	2/Cont E-185, E-225	12
SF 23-C	Lyco O-235-C1	8	M.B. 323	P & W R-1340	18
SPORTAVIA-PUETZER			M.B. 420	Cont TSIO-470-B	12
Elster B	Cont C-90-12F	8	METEOR		
Elster C	Lyco O-320-A2B	8	F.L. 3	Cont C-85	8
GREAT BRITAIN			F.L. 53	Cont A-65	8
BEAGLE-AUSTER			F.L. 54	Cont C-90	8
Atlantic	Cont E-185	12	F.L. 55	Lyco O-320	8
Alpha J5 & 5A	Lyco O-290	8			
Arrow J/2	Cont C-75-12	8			
Agricola B-8	Cont O-470-M	12			
Pup 150	Lyco IO-320	8			
Workmaster, Airdale A109	Lyco O-360-A	8			
B121	RR/Cont O-200	8			
B206S	2/RR/Cont GTSIO-520-C	12			
BEAGLE-MILES					
Caravan HDM-106	2/Lyco GSO-480-B	12			
Martlet M 117	Cont O-200	8			



Spark Plugs

International Aircraft Using U.S. Piston Engines

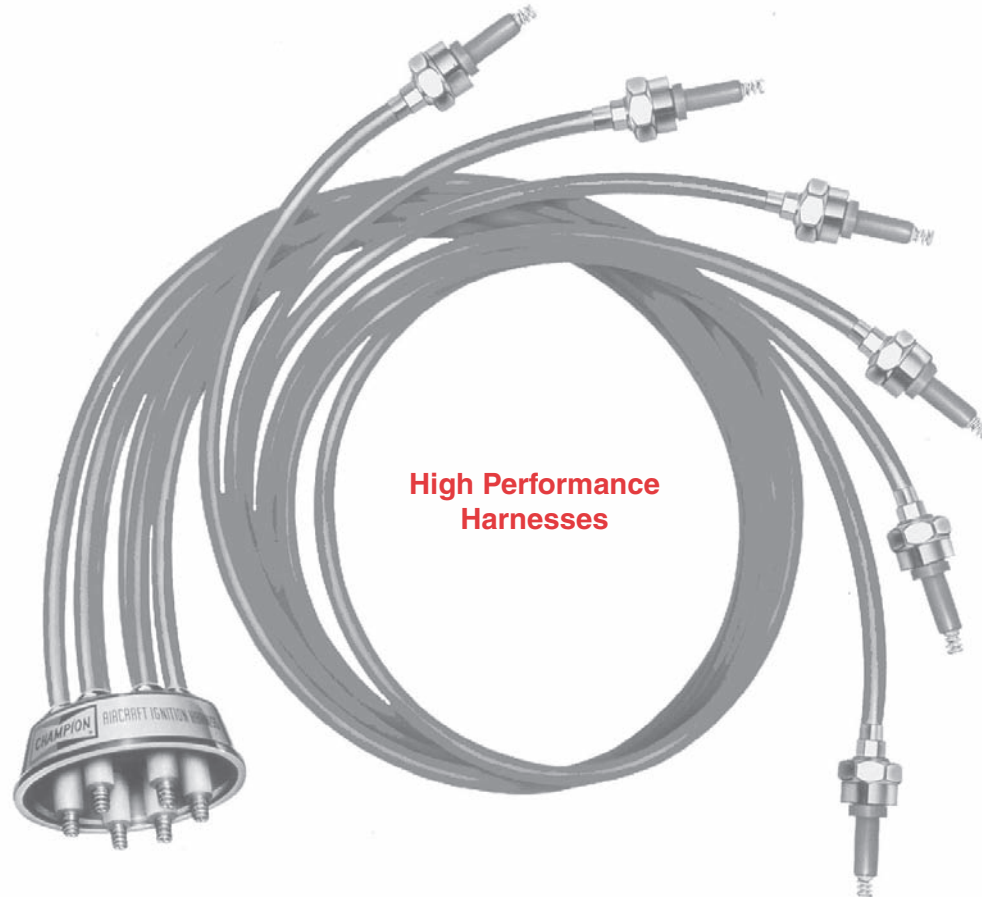
Make & Model	Engine	Plugs Per Eng.	Make & Model	Engine	Plugs Per Eng.
ITALY (Cont'd)			VEST AIRCRAFT		
NARDI			Super Heron (Modified)	4/Lyco GSO-480-B1A6	12
FN-333	Cont O-470-H	12	NETHERLANDS		
PARTENAVIA			HOLLANDAIR		
P48B	Cont A-65	8	H. A. -001 Libel	Lyco O-290-D2	8
P52	Cont C-90	8	PHILIPPINE REPUBLIC		
P59	Cont O-200	8	BUREAU OF SCIENCE		
P55, P57	Lyco O-320	8	L-21S Vinta	Cont O-470-B	12
P57-1	Lyco O-340	8	POLAND		
P57-11	Lyco O-360-B	8	L.W.D.		
P64B Oscar 180	Lyco O-360-A	8	ZAK-2	Cont A-65	8
P64B Oscar 200	Lyco IO-360-A	8	Polskie Zaklady	Cont TSIO-360	12
P66B Oscar 100	Lyco O-235-C	8	PzL-M20	Cont TSIO-360-KB	12
KANPUR			SPAIN		
HA-31 Mk.2	Lyco IO-720-C1B	16	AISA		
PIAGGIO			Peque I-11B	Cont C-90-12F	8
P66B Oscar 150	Lyco O-320-A	8	AVD-12C	Cont O-470-A	12
P66C	Lyco O-320	8	C.A.S.A		
P68, P68B, P68C, P68R	2/Lyco IO-360-A	8	Halcon CASA 202B	2/Wright R-1820-56	18
P68TC	Lyco TO-360-C	8	DORNIER		
P70 Alpha	RR/Cont O-200-A	8	C-127A	Lyco GO-480-B	12
	Lyco GO-435-C2	12	HISPANO		
P-149	GSO-480-B1A6	12	HA-100-F1	Wright R-1300	14
P-136	2/Frank 6A8-215-B9F	12	SCOTLAND		
P-136-L	2/Lyco GO-435-C2	12	SCOTTISH AVIATION		
P-136-L1	2/Lyco GO-480-B	12	Bullfinch	Lyco AEIO-360-A	8
P-136-L2	2/Lyco GSO-480-A1A	12	SWEDEN		
P-148	2/Lyco O-435-A	12	ANDEREAASSON		
P-166	2/Lyco GSO-480-A1A	12	BA-6	Cont A-65, C-85	8
P-155-SAM-1	2/P & W R-2800	36	GOTAVERKEN		
P-150	P & W R-1340	18	GV-38	LeBlond (90 hp)	10
P-166-B/C	Lyco IGSO-540	12	A.B. MALMO		
PROCAER PICCHIO			MFI Junior	Cont O-200	8
F-15	Lyco O-320-B	8	MFI-10 Vipan	Lyco O-320-A	8
F-15A	Lyco O-360-A	8	MFI-10C Vipan	Lyco O-360	8
SIAI-MARCHETTI			SAAB		
Riviera	Cont IO-470-P	12	90-A-2	2/P & W R-1820	28
S206	Franklin 6A-350-C1	12	91-B, -C Safir	Lyco O-435-A	12
S-205-18R	Lyco O-360-A	8	91-D	Lyco O-360-A1A	8
S-205-20/F, 205-20/R	Lyco IO-360-A	8	Safari	Lyco IO-360	8
S-205-22R	Franklin 6A-350-C1	12	SWITZERLAND		
S-208, SF-260, F-260, F-260B	Lyco O-540-E	12	FFA FLUG-UND		
S-F260C	Lyco AEIO-540-D4A5	12	FAHRZEUGWERKE		
JAPAN			AS 202/15	Lyco O-320-E2A	8
FUJI			AS 202/18A	Lyco AEIO-360	8
Nikko LM-1, Mentor B-45	Cont O-470-13	12	AS202/26A	Lyco AEIO-540-D4B5	12
KM-11	Lyco GSO-480-A1A	12	PILATUS		
Aero-Subaru	Lyco O-320-B	8	P-3	Lyco GO-435-C2A	12
FA-200-160	Lyco O-320-D	8	PC-6	Lyco GSO-480-B1A6	12
FA-200-180	Lyco O-360-B	8	YUGOSLAVIA		
TL-1	Lyco IGSO-480-A1A6	12	IKARUS		
T3	Lyco IGSO-480	12	Type 214, 522	P & W R-1340	18
KAWASAKI			UTVA AIRCRAFT FACTORY		
KAL-1, -2, KAT-1	Lyco GO-435-C2B	12	UTVA-75, -75V	Lyco IGO-360-B1F	8
TACHIKAWA			UTVA Lasta	Lyco AEIO-540	12
R-HM	Cont C-90	8			
MEXICO					
AZCARATE					
LA-60	Cont IO-470-R	12			
	Cont TSIO-470-A	12			

22 Contact your preferred distributor for Champion factory FAA certified servicing of your spark plugs.



Product Features

Harnesses



High Performance
Harnesses

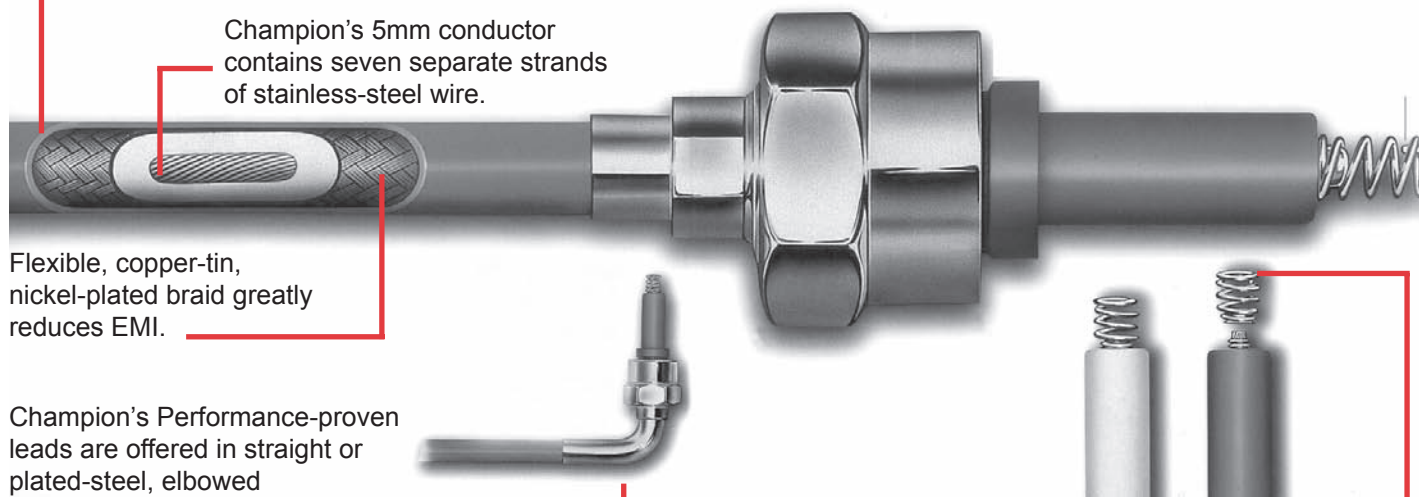
Heat-resistant red, polymer, coating has been specifically engineered for high-temperature, reciprocating engine environments.

Competitive leads have a positive-pitch spring (the coil tip extends outward). The tip on Champion's spring coils inward. This negative-pitch design lets the spring lie flush against the spark plug contact. Energy is delivered more efficiently to the plug with less flashover.

Champion's 5mm conductor contains seven separate strands of stainless-steel wire.

Flexible, copper-tin, nickel-plated braid greatly reduces EMI.

Champion's Performance-proven leads are offered in straight or plated-steel, elbowed configurations for easy installation.



Replaceable Champion spring saves you time and money.



Harnesses

Aircraft Engine Applications

Engine Model	Magneto Type	Spark Plug Terminations	
		5/8x24	3/4x20
Franklin Engines			
FRK 6A-150-B3, -B31, -B4	BX S6-20, 200	CH12772	CH12769
FRK 6A-165-B3, -B4	BX S6-20, 200	CH12772	CH12769
FRK 6A-335-A, -A1A, -A1B, -B1, -B	BX S6-20, 200	CH12772	CH12769
FRK 6A-350-C1, -C1A, -C2, -C2A, -D1, -D1A, -D1B	BX S6-20, 200	CH12772	CH12769
FRK 6AS-335-A, -B	BX S6-20, 200	CH12772	CH12769
FRK 6AS-350-A, -A1	BX S6-20, 200	CH12772	CH12769
FRK 6V4-200-C32, -C33	BX S6-20, 200	CH12772	CH12769
FRK 6A4-150-B3, -B4, -B31	Eisemann LA-6	CH17001	CH17002
FRK 6A4-165-B3, -B4	Eisemann LA-6	CH17001	CH17002
Textron Lycoming Engines			
O-235 -C1, -C1A, -C1B, -C1C, -C2A, -C2C, -E1, -E1B, -E2A, -F1, -F1B, -F2A, -G1, -G1B, -G2A, -H2C, -J2A, -K2A, -K2C, -L2A, -L2C, -M1, -M2C, -M3C, -N2A, -N2C, -P1, -P2A, -P2C, -P3C	BXS4-20, 200	CH12364	CH12360
O-235 -C2B, -E2B, -F2B, -G2B, -J2B, -K2B	BX S4-1200	CH12365	CH12235
O-235 -C1, -C1A, -C1B, -C1C, -C2A, -C2C, -E1, -E1B, -E2A, -F1, -F1B, -F2A, -G1, -G1B, -G2A, -H2C, -J2A, -K2A, -K2C, -L2A, -L2C, -M1, -M2C, -M3C, -N2A, -N2C, -P1, -P2A, -P2C, -P3C	SL 4000	CH14001*	CH12508
O-235 -C1, -C1B, -C2A, -C2B, -L2C	SL 4000	CH14004*	
O-290 -D, -D2, -D2A, -D2B, -D2CBX	S4-20, 200	CH12364	CH12360
O-290 -D2, -D2BBX	S4-1200	CH12365	CH12235
O-290 -D, -D2, -D2B, -D2CBX	S4-1200	CH12420	
O-290 -D, -D2, -D2A, -D2B, -D2C	SL 4000	CH14001*	CH12508
O-290 -D, -D2, -D2B, -D2C	SL 4000	CH14004*	
AEIO-320 -E1A, -E1B, -E2A, -E2BBX	S4-20, 200	CH12364	CH12360
AEIO-320 -D1B, -D2BBX	S4-1200	CH12365	CH12235
AEIO-320 -E1A, -E1B, -E2A, -E2B	SL 4000	CH14001*	CH12508
AIO-320 -A1A, -A1B, -A2A, -A2B, -B1B, -C1B	BX S4-1200	CH12365	CH12235
IO-320 -B1A, -B2A, -C1ABX	S4-20, 200	CH12112	
IO-320 -A1A, -A2A, -B1A, -B1B, -B1C, -B2A, -C1A, -C1B, -E1A, -E1B, -E2A, -E2B, -F1A,	BX S4-20, 200	CH12364	CH12360
IO-320 -B1D, -B1E, -D1A, -D1B, -D1C	BX S4-1200	CH12365	CH12235
IO-320 -E2A	BX S4-1200	CH12420	
IO-320 -A1A, -A2A, -B1A, -B1B, -B1C, -B1D, -B2A, -C1A, -C1B, -E1A, -E1B, -E2A, -E2B, -F1A	SL 4000	CH14001*	CH12508
IO-320 -E2A	SL 4000	CH14004*	
LIO-320 -B1A, -C1A	BX S4-20, 200	CH12112	
LIO-320 -B1A, -C1A	BX S4-20, 200	CH12364	CH12360
LIO-320 -B1A, -C1A	SL 4000	CH14001*	CH12508
O-320 -B1A, -B1B, -B2B, -B3A, -B3B	BX S4-20, 200	CH12112	
O-320 -A1A, -A1B, -A2A, -A2B, -A2C, -A2D, -A3A, -A3B, -A3C, -B1A, -B1B, -B2A, -B2B, -B2C, -B3A, -B3B, -B3C, -C1A, -C1B, -C2A, -C2B, -C2C, -C3A, -C3B, -C3C, D1A, -D1B, -D1D, -D2A, -D2B, -D2G, -D2H, -D2J, -D3G, -E1A, -E1B, -E2A, -E2B, -E2D, -E2G, -E2H, -E3D, -E3H	BX S4-20, 200	CH12364	CH12360
O-320 -D1C, -D1F, -D2C, -D2F, -E1C, -E1F, -D1J, -D2C, -D2F	BX S4-1200	CH12365	CH12235
O-320 -A2A, -A2B, -A2C, -A3A, -A3B, -A3C, -B3C, -D1A, -D2A, -D2B, -E2B	BX S4-1200	CH12420	
O-320 -A1A, -A1B, -A2A, -A2B, -A2C, -A2D, -A3A, -A3B, -A3C, -B1A, -B1B, -B2A, -B2B, -B2C, -B3A, -B3B, -B3C, -C1A, -C1B, -C2A, -C2B, -C2C, -C3A, -C3B, -C3C, -D1A, -D1B, -D1D, -D2A, -D2B, -D2G, -D2H, -D2J, -D3G, -E1A, -E1B, -E2A, -E2B, -E2D, -E2G, -E2H, -E3D, -E3H	SL 4000	CH14001*	CH12508
O-320 -A2A, -A2B, -A2C, -A3A, -A3B, -A3C, -B3C, -D1A, -D2A, -D2B, -E1A, -E2B	SL 4000	CH14004*	
O-340 -A1A, -A2A, -B1A	BX S4-20, 200	CH12364	CH12360
O-340 -A1A, -A2A	BX S4-1200	CH12420	
O-340 -A1A, -A2A, -B1A	SL 4000	CH14001*	CH12508
O-340 -A1A, -A2A	SL 4000	CH14004*	
AEIO-360 -A1A, -A1C, -A1E, -A2A, -B1B, -B4A, -H1A	BX S4-20, 200	CH12364	CH12360
AEIO-360 -A1B, -A1B6, -A2B, -B1F, -B1F6, -B1G6, -B2F	BX S4-1200	CH12365	CH12235
AEIO-360 -A1A, -A1D, -A1E, -A2A, -B1B, -C1A	SL 4000	CH14001*	CH12508
AIO-360 -A1A, -A1B, -A2A, -A2B, -B1B	BX S4-1200	CH12365	CH12235
HIO-360 -A1A, -B1A, -B1B, -C1A,	BX S4-20, 200	CH12364	CH12360
HIO-360 -C1B, -D1A	BX S4-1200	CH12365	CH12235

* CH14001 and CH14002 - Standard Harness Assemblies - Left Magneto Firing Top #1 Spark Plug

* CH14004 - Non-Standard Assembly - Alternate Firing Sequence With Right Magneto Firing Top #1 Spark Plug.

All Champion Aerospace Harnesses are available with elbowed terminations. Part numbers for elbowed harnesses are the same as above with addition of an "E" suffix. E = Elbow Connector BX = TCM/Bendix SL = Slick

Harnesses



Aircraft Engine Applications

Engine Model	Magneto	Spark Plug Terminations	
	Type	5/8x24	3/4x20
Textron Lycoming Engines (Cont'd)			
HIO-360 -A1A, -B1A, -B1B, -C1A	SL 4000	CH14001*	CH12508
HIO-360 -CB1, -D1A	BX S4-1200	CH12411	CH12235
HIO-360 -B1A	BX S4-1200	CH12420	
HIO-360 -D1A	BX S4-1200	CH12655	
HIO-360 -B1A	SL4000	CH14004*	
HO-360 -A1A, -B1A, -B1B	BX S4-20, 200	CH12364	
HO-360 -A1A	BX S4-1200	CH12420	
HO-360 -A1A, -B1A, -B1B	SL4000	CH14001*	CH12508
HO-360 -A1A	SL4000	CH14004*	
IO-360 -A1B, -A1B6, -A1C, -A1D6, -A2B, -A2C, -B1E, -B1F, -B2F, -B2F6, -C-1B, -C1C, -C1C6, -D1A, -F1A	BX S4-1200	CH12365	CH12235
IO-360 -B1A, -B1B, -B1D, -B4A	BX S4-1200	CH12420	
IO-360 -C1E6	SL4000	CH12423	
IO-360 -C1E6	BX S4-1200		CH12616
IO-360 -A1A, -A1D, -A2A, -B1A, -B1B, -B1C, -B1D, -B4A, -C1A, -K2A	SL4000	CH14001*	CH12508
IO-360 -A1C, -A2B, -A2C, -B2E, -C1B, -C1C, -C1C6, -D1A,	SL4000	CH14002*	
IO-360 -B1A, -B1B, -B1D, -B4A, -L2A**	SL4000	CH14004*	
O-360 -A1A, -A1C, -A1D, -A1H, -A1NG, -A2A, -A2D, -A2E, -A2H, -A3A, -A3D, -A4A, -A4D, -A4J, -A4K, -A4M, -A4N, -B1A, -B1B, -B2A, -B2B, -C1A, -C1C, -C1E, -C1G, -C2A, -C2B, -C2C, -C2D, -D2E, -D1A, -D2A, -D2B, -F1A6, -G1A6,	BX S4-20, 200 BX S4-20, 200	CH12364 CH12364	CH12360 CH12360
IVO-360 -A1A	SL 4000	CH14001*	CH12508
IVO-360 -A1A	BX S4-20, 200		CH14033
LIO-360 -A1F, A1F6, -A1G, -A1G6, -A2F, -A2G, -A1G6, -A2F, -A2G, -A4G, -C1F	BX S4-1200	CH12365	CH12235
LIO-360 -C1E6	SL 4000	CH12423	
LIO-360 -C1E6	BX S4-1200		CH12616
O-360 -A1A, -A1C, -A1D, -A1H, -A1NG, -A2A, -A2D, -A2E, -A2H, -A3A, -A3D, -A4A, -A4D, -A4J, -A4K, -A4M, -A4N, -B1A, -B1B, -B2A, -B2B, -C1A, C1C, -C1E, -C1G, -C2A, -C2B, -C2C, -C2D, -C2E, -D1A, -D2A, -D2B, -F1A6, -G1A6	BX S4-20, 200	CH12364	CH12360
O-360 -A1A, -A1C, -A1D, -A1H, -A1NG, -A2A, -A2D, -A2E, -A2H, -A3A, -A3D, -A4A, -A4D, -A4J, -A4K, -A4M, -A4N, -B1A, -B1B, -B2A, -C1A, -C1C, -C1E, -C1G, -C2A, -C2B, -C2C, -C2D, -C2E, -D1A, -D2A, -D2B, -F1A6, -G1A6	SL4000	CH14001*	CH12508
O-360 -A1A, -A1D, -A2A, -A2D, -D2A, -D2B	BX S4-1200	CH12420	
O-360 -A1A, -A1D, -A2A, -A2D, -D2A, -D2B	SL 4000	CH14004	
VO-360 -A1A, -A1B, -B1A	BX S4-20, 200	CH12364	CH12360
VO-360 -A1A, -A1B, -B1A	SL 4000	CH14001*	CH12508
VO-360 -A1A, -A1B, -B1A	BX S4-20, 200		CH14033
GO-435 -C2A2, -C2B2, -C2B2-6	BX S6-20, 200	CH12474	CH12682
TVO-435 -B1A, -A1A, -D1B, -G1B	BX S6-20, 200	CH12471	CH12480
TVO-435 -B1A, -A1A, -D1B, -G1B	BX S6-1200	CH12709	CH12447
TVO-435 -F1A	BX S6-20, 200	CH12712	CH12865
VO-435 -A1D, -A1E, -A1F, -B1B, -B1B3	BX S6-20, 200	CH12471	CH12480
VO-435 -A1D, -A1E, -A1F, -B1B, -B1B3	BX S6-1200	CH12709	CH12447
VO-435 -B1A	BX S6-20, 200	CH12712	CH12865
GO-480 -G1J6	BX S6-1200	CH12742	CH12489
GO-480 -B1J6	BX S6-1200	CH12745	CH12486
GSO-480 -B1A6, -B1C6, -B1F6, -B1G6, -B1B6, -B1E6, -B2C6, -B2D6, -B2G6, -B2H6	BX S6-20, 200	CH12854	CH12280
IGSO-480 -A, -A1A6, -B1B6	BX S6-20, 200	CH12244	CH12247
AEIO-540 -D4A5	BX S6-20, 200	CH12121	CH12120
AEIO-540 -D4A5	BX S6-1200	CH12154	CH12157
IGSO-540 -A1D, -A1E, -A1F, -B1C	BX S6-1200	CH12259	CH12256
IGSO-480 -A1D6, -A1E6	BX S6-20, 200	CH12854	CH12280
IGSO-540 -A1D6, -A1E6	BX S6-20, 200	CH12854	CH12280
IO-540 -A1A5, -B1A5, -B1B5, -B1C5, -C1B5, -C1C5, -C2C, -C4B5, -D4A5, -E1A5, -G1A5, -K1C5, -K1D5, -N1A5	BX S6-20, 200	CH12121	CH12120
IO-540 -A1A5, -B1A5, -B1B5, -B1C5, -C1B5, -C1C5, -C2C, -C4B5, -D4A5, -K1C5, -K1D5, -N1A5, -E1A5, -G1A5	BX S6-1200	CH12154	CH12157
IO-540 -C4B5	BX S6-1200	CH12154	
IO-540 -A1A	BX S6-20, 200	CH12831	
IO-540 -All	BX S6-20, 200		CH12483

* CH14001 and CH14002 - Standard Harness Assemblies - Left Magneto Firing Top #1 Spark Plug.
 * CH14004 - Non-Standard Assembly - Alternate Firing Sequence With Right Magneto Firing Top #1 Spark Plug.
 **PMA Pending

All Champion Aerospace Harnesses are available with elbowed terminations. Part numbers for elbowed harnesses are the same as above with addition of an "E" suffix. E = Elbow Connector BX = TCM/Bendix SL = Slick



Harnesses

Aircraft Engine Applications

Engine Model	Magneto	Spark Plug Terminations	
	Type	5/8x24	3/4x20
Textron Lycoming Engines (Cont'd)			
O-540 -A1A, -A1A5, -A1B5, -A1C5, -A1D, -A1D5, -A2B, -A2D, -A3D5, -A2B, -A2D, -A3D5, -A4A5, -A4B5, -A4C5, -A4D5, -B1A5, -B1B5, -B2A5, -B2B5, -B4A5, -B4B5, -D1A5, -E4A5, -E4B5, -F1A5, -F1B5, -H1A5, -H2A5	BX S6-20, 200	CH12121	CH12120
O-540 -A1A, -A1A5, -A1B5, -A1C5, -A1D, -A1D5, -A2B, -A2D, -A3D5, -A4A5, -A4B5, -A4C5, -A4D5, -B1A5, -B1B5, -B2A5, -B2B5, -B4A5, -B4B5, -D1A5, -E4A5, -E4B5, -F1A5, -F1B5, -H1A5, -H2A5	BX S6-1200	CH12154	CH12157
TIO-540 -C1A	BX S6-1200	CH12154	
TIO-540 -C1A	BX S6-1200	CH12790	
TIO-540 -A1A, -A1B, -A2A, -A2B	BX S6-1200		CH12037
TIO-540 -C1A	BX S6-1200		CH12157
TIO-540 -C1A	BX S6-1200		CH12851
TVIO-540 -A2A	BX S6-20, 200	CH12471	CH12480
TVIO-540 -A2A	BX S6-1200	CH12709	CH12447
VO-540 -A1A, -B1A, -B1B, -B1D, -B2D, -C1C3	BX S6-20, 200	CH12471	CH12480
VO-540 -A1A, -B1A, -B1B, -B1D, -B2D, -C1C3	BX S6-1200	CH12709	CH12447
VO-540 -B1B, -B1C, -B1F, -B2A, -C1A, -C1B, -C2A, -C2B, -C1C3	BX S6-20, 200	CH12831	CH12483
TIGO-541 -E1A	BX S6-1200		CH12890
TIO-541 -E1A4, -E1B4, -E1E4, -E1D4, -E1C4	BX S6-1200		CH12628
IO-720 -A1B, -B1B	BX S8-1200	CH17013	CH17012

- * CH14001 and CH14002 - Standard Harness Assemblies - Left Magneto Firing Top #1 Spark Plug.
- * CH14004 - Non-Standard Assembly - Alternate Firing Sequence With Right Magneto Firing Top #1 Spark Plug.

Engine Model	Magneto	Spark Plug Terminations	
	Type	5/8x24	3/4x20
Teledyne Continental Engines			
A-50 All	BX S4-20, 200	CH12351	CH17003
A-50 All	SL 400	CH17005	CH17004
A-65 -3, -6, 8F, 8FJ, -9, -9FJ, -9J	BX S4-20, 200	CH12351	CH17003
A-65 All	SL 400	CH17005	CH17004
A-75 All	BX S4-20, 200	CH12351	CH17003
A-75 All	SL 400	CH17005	CH17004
A-80 All	BX S4-20, 200	CH12351	CH17003
A-80 All	SL 400	CH17005	CH17004
C-75 -12, -15	SL 4000	CH11780	CH17011
C-75 -12, -15	BX S4-20, 200	CH12007	
C-75 All	BX S4-20, 200	CH12351	CH17003
C-75 All	SL 400	CH17005	CH17004
C-75 -12, -15	Eisemann LA-4	CH17008	CH17007
C-75 -12, -15	SL 400	CH17010	CH1700
C-75 -12, -15	BX S4-20, 200	N/A	CH17006
C-85 -12, -12FJ, -14, -15	SL 4000	CH11780	CH17011
C-85 -12, -12FJ, -14, -15	BX S4-20, 200	CH12007	
C-85 -12, -12FJ, -14, -15	Eisemann LA-4	CH17008	CH17007
C-85 -12, -12FJ, -14, -15	SL 400	CH17010	CH17009
C-85 -12, -12FJ, -14, -15	BX S4-20, 200	N/A	CH17006
C-90 -12, -14, -16, -16F	SL 4000	CH11780	CH17011
C-90 -12, -14, -16, -16F	BX S4-20, 200	CH12007	
C-90 -12, -14, -16, -16F	Eisemann LA-4	CH17008	CH17007
C-90 -12, -14, -16, -16F	SL 400	CH17010	CH17009
C-90 -12, -14, -16, -16F	BX S4-20, 200	N/A	CH17006
C-125 -2, -2H	BX S6-20, 200	CH12130	CH12336
C-125 All	SL 6000	CH12932	CH12935
C-145 -2, -2H	BX S6-20, 200	CH12130	CH12336
C-145 All	SL 6000	CH12932	CH12935
E-165 -2, -3, 4	BX S6-20, 200	CH12176	CH12339
E-185 -1, -2, -3, -5, -8, -9, -10, -11	BX S6-20, 200	CH12176	CH12339
O-200 -A, -B, -C,	SL 4000	CH11780	CH17011
O-200 -A, -B, -C,	BX S4-20, 200	CH12007	

All Champion Aerospace Harnesses are available with elbowed terminations. Part numbers for elbowed harnesses are the same as above with addition of an "E" suffix. E = Elbow Connector BX = TCM/Bendix SL = Slick

Harnesses



Aircraft Engine Applications

Engine Model	Magneto Type	Spark Plug Terminations	
		5/8x24	3/4x20
Teledyne Continental Engines (Cont'd)			
O-200 -A, -B, -C,	Eisemann LA-4	CH17008	CH17007
O-200 -A, -B, -C,	SL 400	CH17010	CH17009
O-200 -A, -B, -C,	BX S4-20, 200	N/A	CH17006
E-225 -2, -4, -8, -9	BX S6-20, 200	CH12176	CH12339
GO-300 -C, -E	SL 600	CH12023	CH12342
O-300 -A, -B, -C, -D, -E	SL 600	CH11884	CH12318
O-300 -A, -B, -C, -D, -E	BX S6-20, 200	CH12130	CH12336
O-300 -A, -B, -C, -D, -E	SL 6000	CH12932	CH12935
IO-346 -A, -B	BX S4-20, 200	CH12332	
IO-360 -A, -B, -C, -D, -E, -G	BX S6-1200		CH12046
IO-360 -A, -C, -CB, -D, -DB, -G, -GB, -H, -HB, -J, -JB, -K, -KB	BX S6-20, 200		CH12015
IO-360 -C, -D, -G	SL 6000		CH12778
LTSIO-360 -E, -EB, -KB	BX S6-20, 200		CH12015
TSIO-360 -A, -AB, -B, -C, -CB, -D, -DB, -E, -EB, -F, -FB, -GB, -H, -HB, -JB, -KB, -LB, -MB	BX S6-20, 200		CH12015
TSIO-360 -A, -B	SL 6000		CH12778
GIO-470 -A	BX S6-20, 200	CH11978	CH11730
IO-470 -A, -C, -D, -E, -F, -G, -H, -J, -K, -L, -LO, -M, -N, -P, -R, -S, -T, -U, -V, -VO	SL 600	CH11878	CH11480
IO-470 -C, -D, -E, -F, -G, -H, -L, -M, -N, -P, -R, -S, -U, -V	BX S6-20, 200	CH11978	CH11730
IO-470 -A, -C, -D, -E, -F, -G, -H, -J, -K, -L, -LO, -M, -N, -P, -R, -S, -T, -U, -V, -VO	SL 6000	CH12828	CH12381
IO-470 -F, -J, -K, -L, -N, -S	BX S6-1200	N/A	CH11740
IO-470 -F, -J, -K, -N, -S	BX S6-1200	CH12216	
IO-470 -F, -J, -K, -N, -S	SL 6000		CH12779
O-470 -A, -B, -B-C1, -C, -E, -G, -G-C1, -H, -J, -K, -K-C1, -L, -L-C1, -M, -M-C1, -N, -P, -R, -S, -U	SL 600	CH11878	CH11480
O-470 -A, -B, -E, -M, -P, -R	BX S6-20, 200	CH11978	CH11730
O-470 -A, -B, -B-C1, -C, -E, -G, -G-C1, -H, -J, -K, -K-C1, -L, -L-C1, M, -M-C1, -N, -P, -R, -S, -U	SL 6000	CH12828	CH12381
O-470 -R, -S, -U	BX S6-1200	N/A	CH11740
O-470 -R, -S, -U	BX S6-1200	CH12216	
O-470 -F, -J, -K, -L, -N, -R, -S, -U	SL 6000		CH12779
TSIO-470 -B, -C, -D, -E,	BX S6-20, 200	CH11978	CH11730
GTSIO-520 -C, -D, -F, -H, -K, -L, -M, -N	BX S6-1200		CH11950
GTSIO-520 -C, -D, -F, -H	BX S6-20, 200		CH12100
IO-520 -A, -B, -BA, -BB, -C, -CB, -D, -E, -G, -H, -J, -K, -L, -M, -MB, -N, -NB	SL 600	CH11878	CH11480
IO-520 -B, -BB, -E	BX S6-20, 200	CH11978	CH11730
IO-520 -A, -B, -BA, -BB, -C, -CB, -D, -E, -G, -H, -J, -K, -L, -M, -MB, -NB	SL 6000	CH12828	CH12381
IO-520 -A, -BA, -BB, -C, -CB, -D, -F, -J, -K, -L	BX S6-1200	N/A	CH11740
IO-520 -A, -BA, -BB, -C, -CB, -D, -F, -J, -K, -L	BX S6-1200	CH12216	
IO-520 -A, -B, -BA, -BB, -C, -CB, -D, -F, -J, -K, -L	SL 6000		CH12779
LTSIO-520 -AE	BX S6-1200	N/A	CH11740
LTSIO-520 -AE	BX S6-1200	CH12216	
LTSIO-520 -AE	SL 6000		CH12779
TSIO-520 -A, -B, -BB, -BE, -C, -CE, -D, -DB, -E, -EB, -F, -G, -H, -J, -JB, -K, -KB, -L, -LB, -M, -N, -NB, -P, -R, -T, -UB, -VB, -WB	SL 600	CH11878	CH11480
TSIO-520 -A, -B, -BB, -BE, -C, -CE, -D, -DB, -E, -EB, -F, -G, -H, -J, -JB, -K, -KB, -L, -LB, -M, -N, -NB, -P, -R, -T, -UB, -VB, -WB	SL 6000	CH12828	CH12381
TSIO-520 -AE, -AF, -B, -C, -D, -DB, -E, -G, -H, -J, -JB, -K, -KB, -L, -LB, -M, -N, -NB, -P, -R, -T, -UB, -WB	BX S6-1200	N/A	CH11740
TSIO-520 -AE, -AF, -C, -D, -DB, -G, -H, -J, -JB, -K, -KB, -L, -LB, -M, -N, -NB, -P, -R, -T, -UB, -WB	BX S6-1200	CH12216	
TSIO-520 -AE, -AF, -B, -C, -D, -DB, -E, -G, -H, -J, -JB, -K, -KB, -L, -LB, -M, -N, -NB, -P, -R, -T, -UB, -WB	SL 6000		CH12779
IO-550 -A, -F	BX S6-20, 200	CH11978	CH11730
IO-550 -A, -B, -C, -D	SL 6000	CH12828	CH12381
IO-550 -B, -C, -D, -E, -L	BX S6-1200	N/A	CH11740
IO-550 -B, -C, -D, -E, -L	BX S6-1200	CH12216	
IO-550 -B, -C, -D, -E, -L	SL 6000		CH12779
TSIOL-550 -B	BX S6-1200	N/A	CH11740
TSIOL-550 -B	BX S6-1200	CH12216	
TSIOL-550 -B	SL 6000		CH12779

All Champion Aerospace Harnesses are available with elbowed terminations. Part numbers for elbowed harnesses are the same as above with addition of an "E" suffix.

E = Elbow Connector

BX = TCM/Bendix

SL = Slick



Harnesses

Termination Kits

Part Number	Description
CH1K006	3/4" x 20 Straight Connectors
1-CHIP001	Nut - 3/4"
1-CHIP044	Spring - Large
1-CHIP006	Adapter
1-CHIP017	Insulator
1-CHIP014	Ferrule
1-CHIP022	Receptacle
1-CHIP002	Spring & Eyelet Assembly
1-CHIP004	Stud
CH1K006E	
1-CHIP005	Insulator
1-CHIP002	Spring & Eyelet Assembly
1-CHIP006	Retainer
CH1K007	5/8" x 24 Straight Connectors
1-CHIP019	Nut - 5/8"
1-CHIP021	Insulator
1-CHIP014	Ferrule
1-CHIP016	Receptacle
1-CHIP002	Spring & Eyelet Assembly
1-CHIP004	Stud
CH1K007E	
1-CHIP008	Insulator
1-CHIP002	Spring & Eyelet Assembly

72" Lead Replacement Kit*

Part Number	Description
CH1K003	3/4" x 20 Straight Connector
CH1K003E	3/4" x 20 Elbow Connectors
CH1K004	5/8" x 24 Straight Connectors
CH1K004E	5/8" x 24 Elbow Connectors

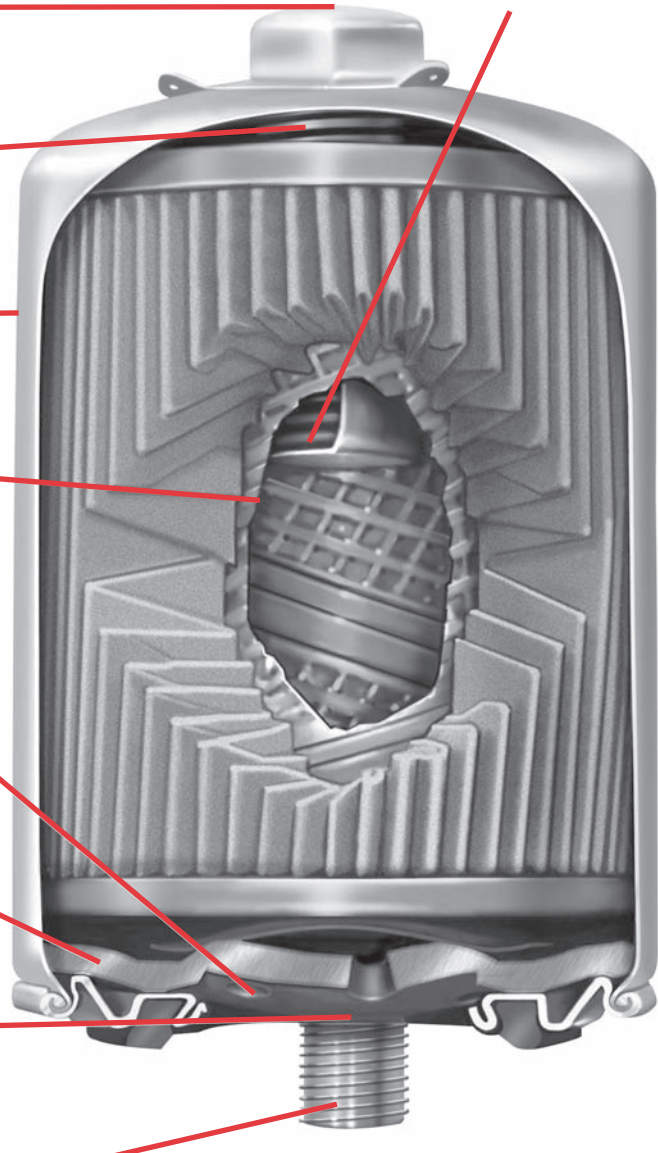
* Each Package Contains (1) 72" Lead Assembly & (1) Lead Adaptor Kit, for Slick or Bendix Mags
See Champion Aerospace Sales Bulletin 01-3 for Complete Listing of Harness Spare Parts.

Notes:

Introducing a New, Improved Shorter Oil Filter

Customers told us the height of a standard oil filter can make it difficult for them to install the filter in certain engine applications.

- So, operating on the premise that size really does matter, we made our Champion oil filter can 1/2" shorter and, in the process, added design improvements that now make our filters stronger and more effective than ever before.



By-Pass Valve
Meets TCM Specifications

Shorter Installed Height
Shortened can height by approximately 1/2", with no impact to the filter media's performance.

Improved Spring
Replaced old "leaf" spring with an improved coil spring design.

Thicker-Walled Can
Increased wall thickness for improved structural integrity.

Stronger Center Tube
Redesigned center tube for added strength, with collapse pressures more than double the current design.

New Inlet Design
Changed four-hole design to an eight-hole design for approximately 30% greater inlet flow area.

Increased Lid Thickness
Increased thickness of seaming lid by approximately 35%, which subsequently provided for higher burst and impulse testing.

Improved Baseplate Thread
Replaced cut thread with an improved rolled thread, without affecting tolerances on the thread dimensions.

New Zinc-Plated Stud
Incorporated new zinc-plated stud for increased protection against rust and corrosion (applicable to Champion part numbers CH48110-1 and CH48111-1).

Oil Filters

See what a sizeable difference 1/2" can make in your life. For more information, call, fax, or log onto www.championaerospace.com



Champion Aerospace's full-pleat, resin-impregnated micronic filter media traps all harmful particles, including metallic chips which result from abnormal engine wear. Because the oil flows through many layers of locked-in fibers, there is no migration of fiber material to clog engine oil passages or affect bearing surfaces. According to industry-approved tests, the Champion oil filter traps and holds more dirt and harmful particles during its normal operating time than any other similar filter.



Oil Filters

Full-Flow Spin-On Filters

Champion Replacement Filter Elements

CFO-100-1 Short Element

CFO-101-1 Long Element

CFO-205 Element Gasket Kit

Oil Filter Packaging Information

Champion Aerospace spin-on oil filters are packaged in individual boxes, with part numbers displayed prominently. All are equipped with an attached installation gasket. Those with male threaded studs have thread protectors to avoid damage.

All sizes of spin-on filters are packed 12 per case of a single part number, in heavy, reshippable corrugated-board cartons.

Champion oil filter elements are individually boxed, each with a plastic bag containing installation gaskets and instructions. This provides ample protection for these elements in storage and assures availability of necessary items for correct installation.

All sizes of replacement elements are packed 12 per case of a single part number in heavy, reshippable corrugated-board cartons.

Spin-On Oil Filters for Teledyne Continental Motors (TCM) Engines

Champion CH48108-1 and CH48109-1 oil filters have been assigned TCM part numbers 649922 and 649923. Many TCM engines have been modified per TCM service bulletins M74-2, M86-6 (Rev.1), Cessna conversion kits or through local field approval. These modifications may require a different filter part number than the one listed in our application data. Following is a list of filter adapters used on TCM engines with the recommended Champion filter.

Manufacturer	Adapter	Filter
Cessna	1250403-2	CH48110-1
Cessna	1250922-1	CH48110-1
Cessna	1250922-2	CH48110-1
Cessna	1250922-3	CH48110-1
Cessna	1250922-4	CH48109-1
Cessna	1250922-5	CH48108-1
Cessna	0556010-1	CH48110-1
Cessna	0450404-2	CH48110-1
TCM	633324	CH48110-1

The airframe or engine manufacturer should be consulted for filter application data on field modified engines.



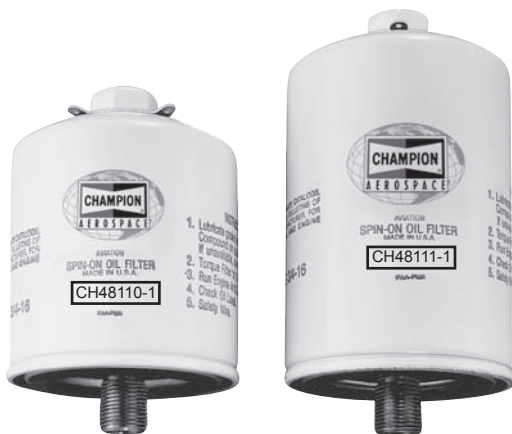
Lycoming

CH48103-1 CH48104-1
(Interchangeable)



Continental

CH48108-1* (TCM No. 649922) CH48109-1* (TCM No. 649923)
(Interchangeable)



Lycoming and Continental

CH48110-1 CH48111-1
(Interchangeable)

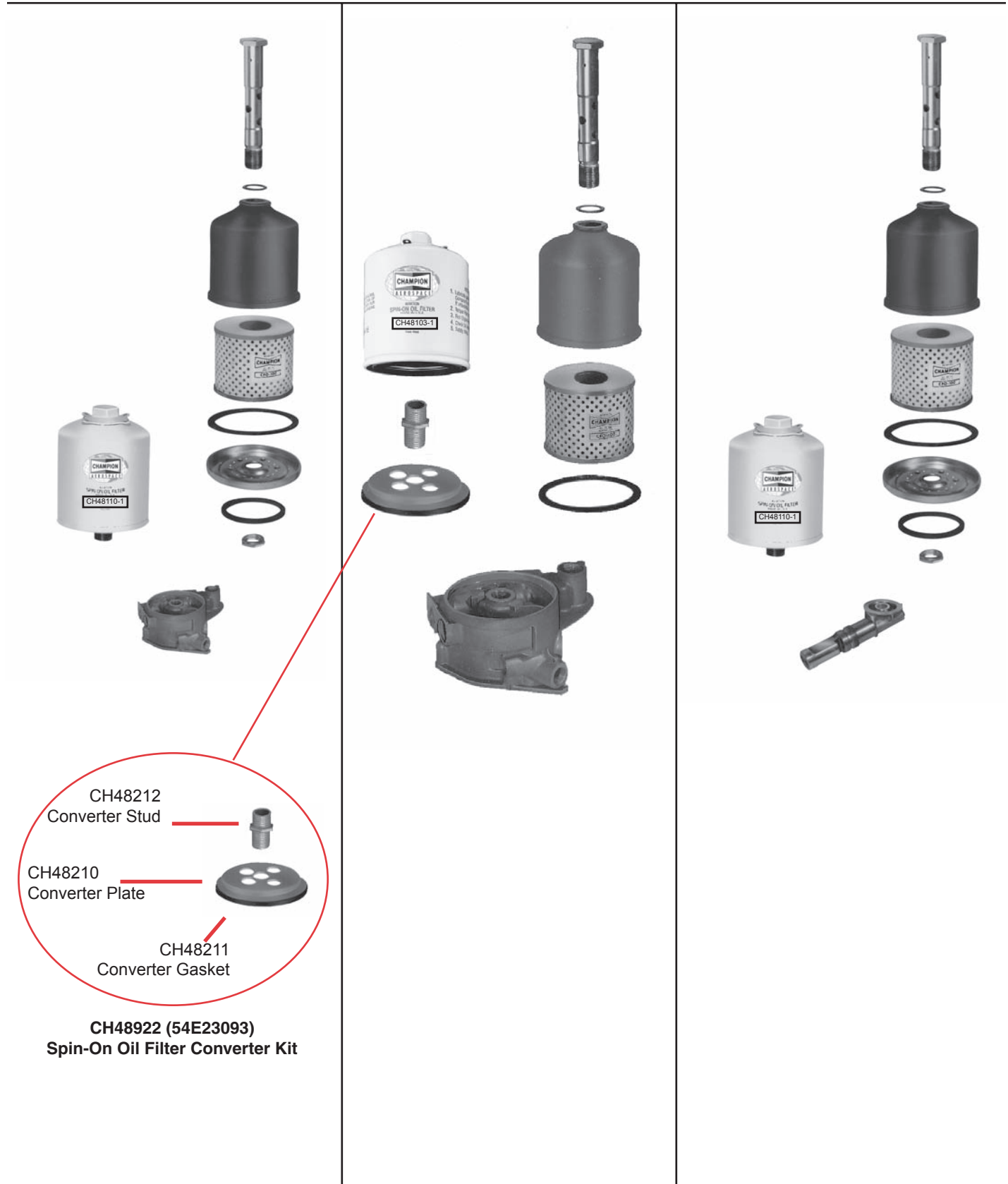
* These filters are equipped with an internal bypass valve. They can be used on any TCM engine equipped with or without a bypass valve in the oil filter engine adapter.

Oil Filters



Full-Flow Spin-On Filters

For Lycoming and Continental Engines



Textron Lycoming now supplies the converter kit, formerly sold under Champion P/N: CH48922. This kit is now available from your Lycoming distributor under P/N: 54E23093.



Oil Filters

Aircraft Engine Applications

Model	Engine Model	Champion Spin-On Filter	Champion Element	Model	Engine Model	Champion Spin-On Filter	Champion Element
AEROSPATIALE (Socata)				NOTE: All Cessna aircraft modified under Cessna Service Bulletin SEB-93-1 or MEB 93-1, require Champion Oil Filter CH48108-1. The CH48109-1 may also be used if clearance permits installation.			
TB9 Tampico	O-320-D2A	CH48110-1	CFO-100-1	CESSNA (Single Engine Models)			
TB10 Tobago	O-360-A1AD	CH48110-1	CFO-100-1		150 A thru M	O-200	CH48108-1
TB20 Trinidad	IO-540-C4D5D	CH48103-1	CFO-100-	F150 F thru M	O-200	CH48108-1	CFO-100-
1				A150L	O-200	CH48108-1	CFO-100-
TB21 Trinidad TC	TIO-540-AB1AD	CH48103-1	CFO-100-	FA150	O-200	CH48108-1	CFO-100-
1				152	O-235-L2C, H2C	CH48110-1	-
TB30	AEIO-540-L1B5D	CH48103-1	CFO-100-	C-172	O-300	CH48108-1	CFO-100-
1				172 A thru H	O-320	CH48110-1	CFO-100-1
AEROSTAR (See Piper)				172N	O-320-H2AD	CH48103-1	-
BEECH				172P	O-320-D2J	CH48111-1	CFO-101-1
BONANZA				F172 D thru H	O-300	CH48108-1	CFO-100-
E33A, F33A, F33B, F33C	IO-520	-	CFO-100-	FR172 E thru K	IO-360	CH48108-1	CFO-100-
1				R172K	IO-360-K	CH48108-1	-
E33A, F33A, F33B, F33C	IO-520B	CH48109-1	-	172R and S	IO-360-L2A	CH48110-1	-
G-33	IO-470N	CH48108-1	-	172RG	O-360-F1A6	CH48110-1	CFO-100-1
H-35	O-470	CH48108-1	-	172S	IO-360-L2A	CH48110-1	-
J, K, M-35	IO 470-C	CH48108-1	-	177	O-320	CH48110-1	CFO-100-1
N, P-35	IO-470-N	CH48108-1	-	177A, B	O-360-A1F6D	CH48103-1	CFO-100-
S35, V35, V35A, V35B	IO-520	-	CFO-100-	177RG	IO-360-A1B6D	CH48103-1	CFO-100-1
1				180 A thru J	O-470	CH48108-1	CFO-100-
S35	IO-520B	CH48109-1	-	180Q	O-470-U++	CH48108-1	CFO-100-
V35TC, V35A-TC, V35B-TC	TSIO-520	-	CFO-100-	180-S/N 53087 & Up	1111O-470-U++	CH48108-1	-
1				C-182	O-470	CH48108-1	CFO-100-
V35TC, V35A-TC, -V35B-TC	TSIO-520D	CH48109-1	-	182 A Thru P	O-470-U++	CH48108-1	CFO-100-
V35, V35A, V35B	IO-520B	CH48109-1	-	182Q, R	IO-540-AB1A5	CH48110-1	-
36, A36	IO-520B	CH48109-1	-	182S	O-470	CH48108-1	CFO-100-
A36TC, B36TC	TSIO-520-UB	CH48109-1	-	A182 K thru N	O-470-U++	CH48108-1	-
B36-550	IO-550	CH48109-1	-	182-S/N 67042 & Up	O-470-U++	CH48108-1	-
DEBONAIR/BONANZA				F182-S/N 00130 & Up	O-540-J3C5D	CH48103-1	CFO-100-
C33A, E33A, E33C	IO-520	-	CFO-100-	R182	O-540-L3C5D	CH48103-1	CFO-100-
1				T182	O-540-L3C5D	CH48103-1	CFO-100-
C33A, E33A, F33C	IO-520B	CH48109-1	-	TR182, FTR182	O-540-L3C5D	CH48103-1	CFO-100-
MUSKETEER				185 A thru D	IO-470, IO-520	CH48108-1	CFO-100-
Sport III	O-320	CH48110-1	CFO-100-1	A185E, F	IO-470, IO-520	CH48108-1	CFO-100-
23	O-320	CH48110-1	CFO-100-1	185-S/N 03852 & Up	IO-520	CH48108-1	-
A23-19, 19A, B19 Sport	O-320	CH48110-1	CFO-100-1	188	O-470, IO-520	CH48108-1	CFO-100-
A23, 23, A23A	IO-346	-	CFO-100-	188-S/N 03474 & Up	IO-520D	CH48109-1	-
1				T188-S/N 03474 & Up	TSIO-520	CH48109-1	-
A23, A23A	IO-346A	CH48109-1	-	205A	IO-470	CH48108-1	CFO-100-
B23, C23 Sundowner	O-360	CH48110-1	CFO-100-1	C-206	IO-540	CH48110-1	CFO-100-1
B23	O-360A4JD	CH48103-1	CFO-100-	206 A thru G	IO-520	CH48108-1	CFO-100-
1							
SIERRA							
24, A-24, A-24R, B-24R, C-24R	IO-360, -L2A	CH48110-1	CFO-100-1				
SKIPPER							
77	O-235-L2C	CH48110-1	-				
BEECH							
BARON							
C55, D55, E55, 58	IO-520	-	CFO-100-				
1							
C55, D55, E55, 58	IO-520C	CH48109-1	-				
56TC, A56TC	TIO-541-E	CH48104-1	CFO-101-				
1							
Baron 58P	TSIO-520-L++	-	CFO-100-				
1							
Baron 58P, 58TC	TSIO-520-L, -W, -B	CH48108-1	-				
Baron 58C, 550	IO-550	CH48109-1	-				
DUKE							
60, A60, B60	TIO-541	CH48104-1	CFO-101-				
1							

Aircraft engines not listed, but equipped with oil filters at overhaul, may accept Champion filters. Write Aviation Service Deptment for further information. Please include description of your engine. ++ Reference page 25-26 for other TCM application data. * Requires Lyco (54E23093)

Oil Filters



Aircraft Engine Applications

Model	Engine Model	Champion Spin-On Filter	Champion Element	Model	Engine Model	Champion Spin-On Filter	Champion Element
CESSNA (Twin Engine Models)				MAULE			
T303	LTSIO-520-AE & TSIO-520-AE	CH48109-1	-	M5-180C, MX7-180	O-360-C, -C1F	CH48110-1	
310 C thru Q	IO-470	CH48108-1	CFO-100	M5-210C	IO-360D, -L2A	CH48103-1	
1				M5-210TC	TO-360-C1A6D	CH48103-1	
310 R	IO-520-M	CH48108-1	-	M5-235C, M6-235, M7-235	O-540-J1A5D	CH48103-1	
T310P, Q, R	TSIO-520-B	CH48108-1	CFO-100	MX-7-235	O-540-W1A5D	CH48103-1	
1				MOONEY AIRCRAFT			
320-A	TSIO-470	CH48104-1	-	M20	O-320	CH48110-1	CFO-100-1
320-B, C	TSIO-470	CH48109-1	CFO-101	M20A, B, Mark21	O-360	CH48110-1	
1				M20D Master	O-360	CH48110-1	CFO-100-1
320-D	TSIO-520	-	CFO-100-1	M20C Ranger	O-360	CH48110-1	
320-D, E, F	TSIO-520-B	CH48108-1	-	M20G Statesman	O-360	CH48110-1	CFO-100-1
335	TSIO-520-EB	CH48109-1	-	M20E Chaparral	IO-360, -L2A	CH48110-1	CFO-100-1
336	IO-360	CH48108-1	CFO-100	M20F Executive	IO-360, -L2A	CH48110-1	CFO-100-1
1				M20J-201	IO-360-A3B6D, -L2A	CH48103-1	-
337	IO-360	CH48108-1	CFO-100	M20K-231	TSIO-360-G, LB	CH48108-1	
1				M20M-TLS	TIO-540-AFIA, B	CH48110-1	
P337, P337H	TSIO-360	CH48108-1	CFO-100	M20R	IO-550	CH48108-1	-
1				M22 Mustang	TIO-541	CH48110-1	CFO-100-1
T337H	TSIO-360-H	CH48108-1	CFO-100	M20K-252 TSE	TSIO-360-MB1	CH48108-1	-
1				PIPER			
340	TSIO-520-K	CH48108-1	-	CUB			
340A	TSIO-520-N, -NB	CH48109-1	CFO-100	PA-18 "150"	O-320	CH48110-1	CFO-100-1
1				TRI-PACER			
401/402	TSIO-520-E	CH48108-1	CFO-100	PA-22 "150"	O-320	CH48110-1	CFO-100-1
1				PA-22 "160"	O-320	CH48110-1	CFO-100-1
402C	TSIO-520-VB	CH48109-1	CFO-100	COMANCHE			
1				PA-24 "180"	O-360	CH48110-1	CFO-100-1
404	GTSIO-520-M	CH48108-1	CFO-101	PA-24 "250"	O-540 or IO-540	CH48110-1	CFO-100-1
1				PA-24B, PA-24C "260"	O-540 or IO-540	CH48110-1	CFO-100-1
411-S/N 000 thru 0126	GTSIO-520-C	CH48109-1	-	PA-24 Turbo "260"	IO-540	CH48110-1	CFO-100-1
411-S/N 0127 and up	GTSIO-520-C	CH48109-1	CFO-101	PAWNEE			
1				PA-25 "150"	O-320	CH48110-1	CFO-100-1
414, 414A	TSIO-520-J, -N	CH48108-1	-	A25 "260"	O-540	CH48110-1	CFO-100-1
421A, B	GTSIO-520-D, -H,	CH48109-1	CFO-101	PA-36 Brave	6-285B	CH48109-1	-
1				PA-36-375 Brave	IO-720-D1C	CH48110-1	CFO-100-1
421C-S/N 1017 thru 1404	-L, -N, ++	CH48109-1	CFO-101	PA-36-400 Brave	IO-720D1CD	CH48104-1	CFO-101-1
1				CHEROKEE, CADET			
CIRRUS AIRCRAFT				PA-28 "140"	O-320	CH48110-1	CFO-100-1
SRV, SR20	IO-360ES	CH48108-1		PA-28 "150"	O-320	CH48110-1	CFO-100-1
SR22	IO-550N	CH48109-1		PA-28 "160", "161"	O-320	CH48110-1	CFO-100-1
COLUMBIA/LANCAIR				PA-28 "180"	O-360	CH48110-1	CFO-100-1
COLUMBIA 300, 350	IO-550N	CH48109-1	CFO-100	PA-28 "180", "181"	O-360-A4M	CH48110-1	CFO-100-1
1				PA-28 "235"	O-540	CH48110-1	CFO-100-1
COLUMBIA 400	TS10-550	CH48109-1	CFO-100	PA-28 "151"	O-320	CH48110-1	CFO-100-1
1				ARROW			
DIAMOND AIRCRAFT				PA-28R "180"	IO-360, L2A	CH48110-1	CFO-100-1
DA20-1C	IO-240	CH48108-1	CFO-100	PA-28R "180"	IO-360-C1CD, L2A	CH48103-1	CFO-100-1
1				PA-28R "200"			
				Arrow II	IO-360, L2A	CH48110-1	CFO-100-1
				PA-284 "200"			
				Turbo Arrow III	TSIO-360	CH48108-1	-
				PA-28-R-201T	TSIO-360-F1	CH48108-1	

Aircraft engines not listed, but equipped with oil filters at overhaul, may accept Champion filters. Write Aviation Service Department for further information. Please include description of your engine. ++ Reference page 25-26 for other TCM application data. * Requires Lyco (54E23093)

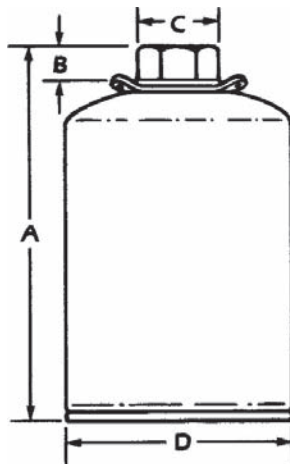


Oil Filters

Aircraft Engine Applications

Model	Engine Model	Champion Spin-On Filter	Champion Element	Model	Engine Model	Champion Spin-On Filter	Champion Element
DAKOTA				TWIN COMMANCHE			
PA-28-235	O-540-J3A5D	CH48103-1*	CFO-100-1	PA-30 "160" Turbo	IO-320	CH48110-1	CFO-100-1
PA-28-201T	TSIO-360-FB	CH48108-1	-	PA-39 "160"	IO-320	CH48110-1	CFO-100-1
CHEROKEE SIX				PA-39 "160" Turbo	LIO-320	CH48110-1	CFO-100-1
PA-32 "260"	O-540	CH48110-1	CFO-100-1		IO-320	CH48110-1	CFO-100-1
PA-32 "300"	IO-540	CH48110-1	CFO-100-1		LIO-320	CH48110-1	CFO-100-1
PA-32R "300"	IO-540-K1AD	CH48103-1*	CFO-100-1	NAVAJO			
PA-32R "300"	TIO-540-S1AD	CH48103-1*	CFO-100-1	PA-31 "300"	IO-540	CH48110-1	CFO-100-1
PA-32RT-300T	TIO-540-S1AD	CH48103-1*	CFO-100-1	PA-31 "310" Turbo	IO-540-F2BD	CH48103-1	CFO-100-1
PA-32-301	IO-540-K1G5D	CH48103-1*	CFO-100-1	PA-31 "325"	LTIO-540-F2BD	CH48103-1	CFO-100-1
PA-32-301	TIO-540-S1AD	CH48103-1*	CFO-100-1				
PA-32R-301	IO-540-K1G5D	CH48103-1*	CFO-100-1	PA-31 "350" Chieftain	TIO-540-J2BD	CH48103-1	CFO-100-1
PA-32R-301	TIO-540-S1AD	CH48103-1*	CFO-100-1		LTIO-540-J2BD	CH48103-1	CFO-100-1
TOMAHAWK				PA-31P "425"	TIGO-541	CH48104-1	CFO-101-1
Trainer PA-38-112	O-235-L2C	CH48103-1*	CFO-100-1	PA-31P "350" Mojave	TIO/LIO-540-V2AD	CH48104-1	
MALIBU				SENECA			
PA-46-301P	Cont TSIO-520-BE	CH48109-1		PA-34	IO-360C	CH48110-1	CFO-100-1
MALIBU MIRAGE					LIO-360C	CH48110-1	CFO-100-1
PA-46-350-P	Lyco TIO-540-AE2A	CH48103-1		PA-34	IO-360-C1E6D	CH48103-1	CFO-100-1
APACHE				Seneca II	LIO-360-C1E6D	CH48103-1	CFO-100-1
PA-23 "150"	O-320	CH48110-1	CFO-100-1		LTSIO-360-E	CH48108-1	-
PA-23 "160"	O-320	CH48110-1	CFO-100-1	Seneca III	TSIO-360-E	CH48108-1	-
PA-23 "235"	O-540	CH48110-1	CFO-100-1	PA-34-220T	TSIO-360-KB	CH48108-1	
AZTEC				PIPER AEROSTAR			
PA-23 "250"	O-540	CH48110-1	CFO-100-1	PA-60-600, -600A	IO-540-G, -K	CH48110-1	CFO-100-1
"C" PA-23	IO-540	CH48110-1	CFO-100-1	PA-60-604, -601B	IO-540-P, -S	CH48110-1	CFO-100-1
PA-23 Turbo "250"	IO-540	CH48110-1	CFO-100-1	PA-60-601P	IO-540-S	CH48110-1	CFO-100-1
"C", "D", "E", "F"				PA-60-602P	IO-540-AA1A5	CH48110-1	CFO-100-1
PA-23 Turbo "250"	TIO-540	CH48110-1	CFO-100-1	SEMINOLE			
				PA-44-180	O-360-E1AD	CH48103-1*	CFO-100-1
				PA-44-180T	TO-360-E1A6D		
					LTO-360-E1A6D	CH48103-1*	CFO-100-1

Dimensional Data



Popular spin-on oil filters

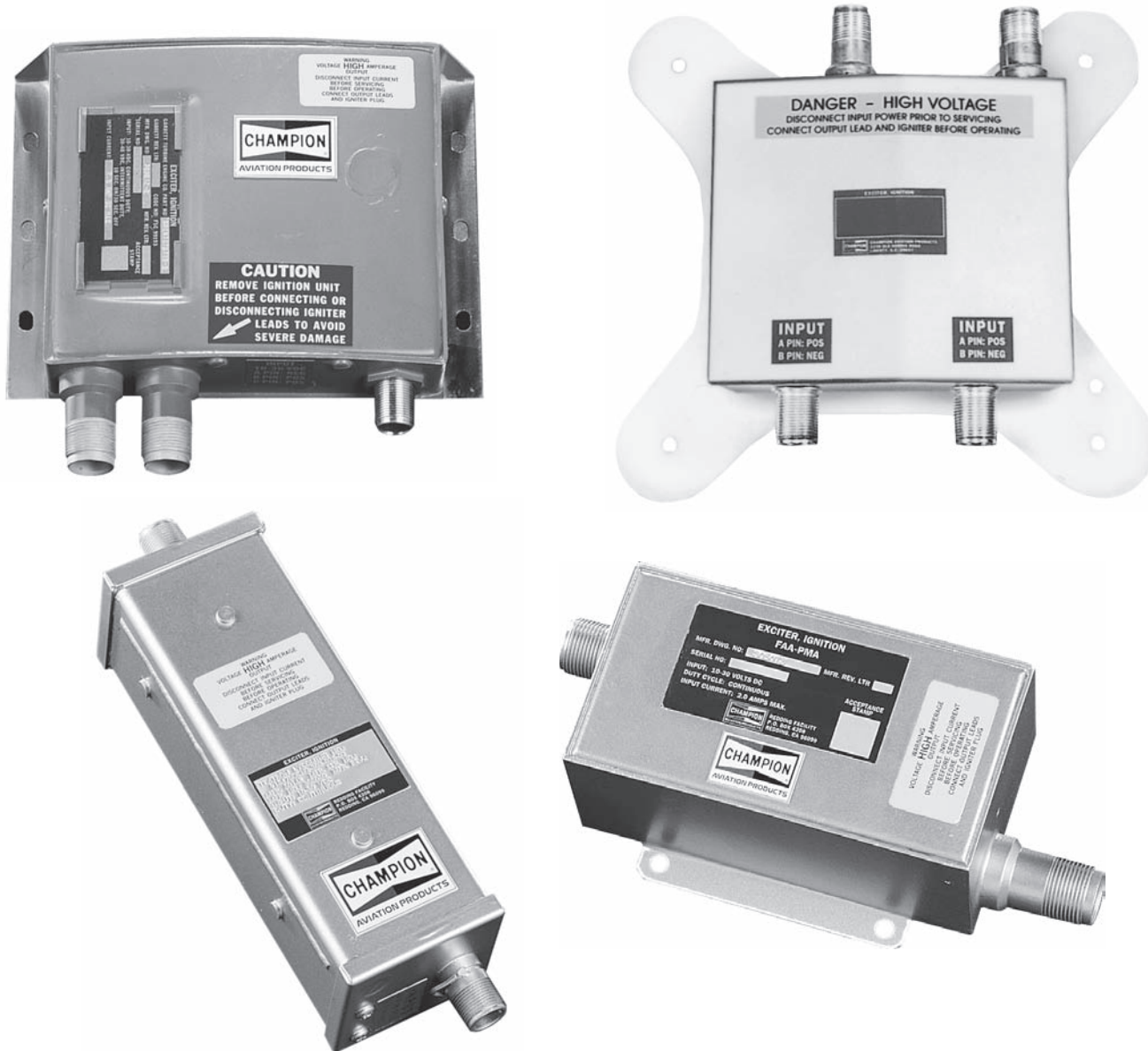
Champion Part No.	A	B	C	D	Thread (SAE)	Dry Weight Lbs./Kg.
CH48103-1	4.48" (11.4 cm)	0.43" (1.09 cm)	1.00" Hex (2.54 cm)	3.71" (9.4 cm)	13/16-16-UNS-2B	1.32lbs. (0.59kg)
CH48104-1	5.73" (14.6 cm)	0.43" (1.09 cm)	1.00" Hex (2.54 cm)	3.71" (9.4 cm)	13/16-16-UNS-2B	1.41lbs. (0.64kg)
CH48108-1	4.48" (11.4 cm)	0.43" (1.09 cm)	1.00" Hex (2.54 cm)	3.71" (9.4 cm)	3/4-16-UNF-2B	1.40lbs. (0.64kg)
CH48109-1	5.73" (14.6 cm)	0.43" (1.09 cm)	1.00" Hex (2.54 cm)	3.71" (9.4 cm)	3/4-16-UNF-2B	1.51lbs. (0.68kg)
CH48110-1	4.48" (11.4 cm)	0.43" (1.09 cm)	1.00" Hex (2.54 cm)	3.71" (9.4 cm)	3/4-16-UNF-2A	1.38lbs. (0.63kg)
CH48111-1	5.73" (14.6 cm)	0.43" (1.09 cm)	1.00" Hex (2.54 cm)	3.71" (9.4 cm)	3/4-16-UNF-2A	1.47lbs. (0.67kg)

Aircraft engines not listed, but equipped with oil filters at overhaul, may accept Champion filters. Write Aviation Service Department for further information. Please include description of your engine.

* Requires Lyco (54E23093)



Product Features



Turbine Exciters

Champion Quality and Reliability.

Every Champion Aerospace exciter carries our full warranty and is backed by the Champion name. Our exciters are rebuilt to the same exacting standards that have made us a leader in aviation products for over 75 years.

Champion Exciters are Widely Used in the Following Engine Applications:

- | | |
|------------------------------|--|
| Honeywell: | AS907, TPE331, TFE731, ALF502,
LF507, 131-9A/B, 331-600 |
| Pratt & Whitney: | PW150, PW206, PW308, JT15D, PT6A, PT6C, PW207 |
| Sundstrand: | APS2000 |
| Williams/Rolls-Royce: | FJ44-1A, FJ33 |





Product Features

Contact Assembly - Provides sure sparks and clean, positive contact between lead, igniter and exciter.



Military-Grade Stainless Steel Shielding - Provides positive RFI protection and resists abrasion.



Core Assembly - Meets stringent OEM and military requirements and provides maximum spark efficiency and insulation value.



Turbine Ignition Leads

Champion Aerospace provides OEMs with high-quality, military-grade ignition leads manufactured with technology designed for the 21st century. Champion is a full ignition system supplier to the turbine engine market.

Champion has moved rapidly to supply the turbine aftermarket with top-quality, cost-effective replacement leads, as well as offering a lead overhaul program, a unique maintenance alternative. Regular, preventive maintenance helps avoid costly, unscheduled maintenance caused by worn turbine ignition leads. Often, cables that do not appear worn, but have weak shielding or poor connections can actually be about to fail. Whether you buy new FAA-PMA approved replacement leads or choose to overhaul your current leads, you're assured of quality, prompt delivery and maximum reliability.



Turbine Ignition Leads

Aircraft Engine Applications

ENGINE APPLICATION	CHAMPION LEAD NO.	OEM LEAD NO.	AIRCRAFT APPLICATIONS
Allison Engine Company (Rolls-Royce)			
250-B17C (All), -B17D (All), -B17E, -B17F (All), -B17F/1, -B17F2, -C20S	CH53351	23060813	
250-C18, -C18A, -C18B, -C18C5, -C19, -C20, -C20B (All), -C20 (T63-A-720), -C20J (All), -C20R/1, -C20R/2 (All), -C204/4	53247	23060814	
250-C30 (All), -C30G, -C30G/2, -C30M, -C30S, -C40B	53158	23060815	
250-C20W, -C30 (All), -C30G, -C30L, -C30M, -C30P, -C30R, -C30R/1, -C30S, -C30U, -C47B, -C47M	53159	23060816	
250-C28B, -C28C	53153	22306817	
250-C20F, -C20R (All)	53270	23060818	
General Electric			
CF34-3A1, -3B, -3B1	CH53515-3 CH53515-4	4096T96P03 4096T96P04	
CF34-8C1, C5	CH53515-1 CH53515-2	4096T96P07 4096T96P08	
CF34-8C5A1/A3	CH53515-1 CH53515-5	4096T96P07 4096T96P11	
CFE738-1, -1B	53323-4	3051406-4	
Honeywell			
ALF502L-2, -2A, -2C, -3			Canadair Challenger 600
ALF502R-3, -3A, -5, -6	53282 (Jumper) 53283 (Jumper) 53214 (Jumper A) 53215 (Jumper B) 53214, 53215, (Jumper) 53216-1, 53217-1 (Ign. A, B) 53217-1, (Ign. B)	2-303-025-02 2-303-079-02 2-303-766-02 2-303-767-02 2-303-766-02, 2-303-767-02 2-303-768-03 2-303-769-03 2-303-769-03	BAe146-10 BAe 146-300 Series
LF507-IF, -IH	53214 (Jumper A) 53215 (Jumper B) 53216-1 (Ign. A)	2-303-766-02 2-303-767-02 2-303-768-03	AVRO RJ Series (Formerly BAe)
LF507-1F, 1H, AS907-1, 1A	53217-1 (Ign. B) 53280-1 53281-1 53282 (Jumper B) 53283 (Jumper B)	2-303-769-03 2-303-742-03 2-303-743-03 2-303-025-02 2-303-079-02	AVRO RJ Series (Formerly BAe)
HTF7000 (formerly AS907)	53542-1	3038111-1	Challenger 300
TPE331-25DA	50221-18	369876-18	
TPE331-25FA	50221-21	369876-21	Air Asia, Porter
TPE 331-2-0014	50221-15 50221-16	369876-15 369876-16	Skyvan
TPE331-2UA-203D	50221-12	369876-12	Alaska Wildlife, DHC3 Beaver,
TPE331-55B TPE331-1-101E TPE331-1-101Z TPE331-3U-303V	50221-7	369876-7	Carstedt, Jetliner 600A Jetliner 600B Marsh, Turbo Thrush Handley Page, Jetstream III
TPE331-10UF-501H TPE331-10UF-511H TPE331-10UF-512H TPE331-10UF-513H TPE331-10UG-513H TPE331-10UG-514H TPE331-10UG-513H	50221-24 50221-25	369876-24 369876-25	CASA-212 Jetstream 31 Merlin 300 MU-2

This chart is for reference only. Lead installation may change as a result of variations in ignition system configuration. Consult latest revision of the appropriate illustrated parts catalog for specific data. Champion FAA-PMA leads are manufactured by Champion Aerospace, Inc.

38 Contact your preferred distributor for Champion factory FAA certified lead overhaul program.

Turbine Ignition Leads



Aircraft Engine Applications

ENGINE APPLICATION	CHAMPION LEAD NO.	OEM LEAD NO.	AIRCRAFT APPLICATIONS
Honeywell (Cont'd)			
TPE331-10UGR-514H	50221-24	369876-24	Cessna, 441 Conquest
TPE331-10UR-513H	50221-25	369876-25	Fairchild, IV/Metro I, IVA/Metro II
TPE331-8-401S			
TPE331-8-402S			
TPE331-8-403S			
TPE331-3UW-303G			
TPE331-3U-303G			
TPE331-3-303G			
TPE331-3-304G			
TPE331-6-252B	50221-24	369876-24	Bech, B-100 King Air
TPE331-2-201C	50221-8	369876-8	CASA, 212-100
TPE331-5-251C			212-100
TPE331-10-501C			980/1000
TPE331-10-511C			Mitsubishi, Marquise, Solitaire
TPE331-5-252D	50221-22	369876-22	Dornier, 228
TPE331-5-252K	50221-9	369876-9	690B
TPE331-5-252M			MU-2N
TPE331-1-151A			MU-2DP, MU-2F, MU-2G
TPE331-1-151G	50221-15	369876-15	Merlin IIB
	50221-16	369876-16	
TPE331-10UA-501G	50221-24	369876-24	Merlin III, IIIA, IV, IVA,
TPE331-10UA-511G	50221-29	369876-29	Metro II-10
TPE331-10U-511G	50221-24	369876-24	Merlin IIIB
TPE331-10U-512G	50221-28	369876-28	Merlin IIIC
TPE331-10U-513G	50221-32		Merlin IVC, Metro III
TPE331-11U-612G	50221-33		Metro, II, IIA
TPE331-43A	50221-7	369876-7	Gulfstream Commander,
TPE331-43B	50221-9	369876-9	680T, 680V, 680W, 681
TPE331-5-251K	50221-12	369876-12	690/690A
TPE331-5-254K	50221-9	369876-9	840
TPE331-6-251M			MU-2K, MU-2L, MU-2M, MU-2S
TPE331-25AA	50221-19	369876-19	MU-2B
TPE331-25AB	50221-9	369876-9	MU-2D
TPE331-14A-601P	53133-5	3105589-5	
	53133-6	3105589-6	Piper, Cheyenne 400LS
TPE331-14GR/HR	53338-1	3105901-1	Jetstream 41
	53339-1	3105902-1	
TPE331-14, -14A, -14B, -15	53133-5	3105589-5	Piper, Cheyenne 400LS
TPE331-14, -14A, -14B	53133-6	3105589-6	
TPE351-20	53133-7	3105589-7	
TFE731-2, -3, -3A, -3AR, -3-1F, -3B, -3BR, -3R, -5R	53142-10	3071590-10	AAC, HS125-700
	53142-11	3071590-11	
TFE731-3-1E	53142-10	3071590-10	Jetstar 731
TFE731-3-1G	53142-11	3071590-11	IAI, 1124 Westwind,
TFE731-3-5A-1C			Sabreliner 65, Falcon 50
TFE731-3R-1H	53142-10	3071590-10	BAe, HS125-700
TFE731-3B-100S	53142-11	3071590-11	Cessna, Citation III, Citation VII
TFE731-2, -3A, -3BR-100S	53142-12	3071590-12	
TFE731-3A-2B, -3B, -3R	53142-13	3071590-13	
TFE731-3AR			
TFE731-4R-2S			

This chart is for reference only. Lead installation may change as a result of variations in ignition system configuration. Consult latest revision of the appropriate illustrated parts catalog for specific data. Champion FAA-PMA leads are manufactured by Champion Aerospace, Inc.

Contact your preferred distributor for Champion factory FAA certified lead overhaul program.



Turbine Ignition Leads

Aircraft Engine Applications

ENGINE APPLICATION	CHAMPION LEAD NO.	OEM LEAD NO.	AIRCRAFT APPLICATIONS
Honeywell (Cont'd)			
TFE731-5R-1H	53142-10	3071590-10	HS125-800
TFE731-3-1F	53142-11	3071590-11	Lockheed, Jetstar
TFE731-2-1C	53142-12	3071590-12	Dassault, Falcon 10/100
TFE731-3AR-200G	53142-13	3071590-13	1125 Astra
TFE731-3A-200G			Model 55
TFE731-5A-1C	53142-12	3071590-12	Falcon 900
TFE731-5-1B	53142-13	3071590-13	L55
TFE731-2-2B	53142-12+ (Pre S.B. 74-3003)	3071590-12	Learjet, L35/36
	53142-13+ (Pre S.B. 74-3003)	3071590-13	
	53142-10++ (Post S.B. 74-3003)	3071590-10	
	53142-11++ (Post S.B. 74-3003)	3071590-11	
TFE731-3R-1D	53142-12+ (Pre S.B. 74-3003)	3071590-12	
	53142-13+ (Pre S.B. 74-3003)	3071590-13	
Pratt & Whitney CANADA PT-6 Series			
PT6A-11			Piper Cheyenne I/IA, T1040
PT6A-110			Dornier Skyservant
PT6A-21	53402-02	3011871	Beech C90
			Cessna Caravan II*, Conquest I,
PT6A-112	CH53399-04	3119832-01	Embraer EMB-110 P1, P2 EMB-111
			Cessna Caravan I*, Avtek 400,
PT6A-114, 114A			Beech F90-1, Omac Laser 300,
PT6A-135A			Ayers Turbo Thrush T-11,
PT6A-11AG	CH53399-04	3119832-01	Schweizer G164B Turbine, Agcat
PT6A-116, 121	CH53399-04	3119832-01	Jetcrafters Taurus, Piper
			Cheyenne IIXL, Riley Eagle 421,
			Riley Turbine 210, Schafer
PT6A-135		CH53399-04	3119832-01 Comanchero
			Air Tractor AT400, Ayers Turbo
			Thrush T-15, Frakes Turbo
Cat B, PT6A-15AG	CH53399-04	3119832-01	Weatherly 620TP
			DHC-2-Turbo Beaver, Beech, C90/A
			C90A, 99, Schafer Comanchero 500,
			Beech 99A/B, Catic Y-12, DHC-6 Twin
			Otter, Embraer EMB-110/B, B1, C, E,
			& P, Caraja, Let L-410A, Pilatus PC-6
PT6A, 6A, 6B			
PT6A-20			
PT6A-20A, 20B	CH53399-04	3119832-01	
PT6A-25			
PT6A-25A			
PT6A-25C			
PT6A-36, 34, 38			
PT6A-62			
PT6A-66			
PT6A-67, 114, 114A, 135A	CH53399-07*	3119833-01	PC-9, Piaggio Avanti, Beech Starship I
PT6A-67D		CH53399-09	Rathson Beech 1900 / 1900C
		3119832-02	
	CH53399-10	3119835-02	
PT6A-28	CH53399-04	3119832-01	Beech E90, 99A, A100, Embraer
			EMB-121A, Piper Cheyenne II
			Avalon 680, Embraer EMB-110K1,
			S1, P1, P2, Frakes Mallard, IAI
			Arava, IAI 102, Omni Turbo
Titan, PT6A-34		CH53399-04	3119832-01 Spectrum One
			Ayres Turbo Thrush T34, Frakes Turbo
			Cat A, B, C, NAC Fieldmaster,
			PzL 106A Turbo Kruk, Schweizer
PT6A-34AG	CH53399-04	3119832-01	G164B Turbine, Agcat
PT6A-41			
PT6A-42			
PT6A-45A			
III,			
PT6A-45B			
PC-9,			
PT6A-60A			
			Beech 200, Piper Cheyenne
			Beech B200, C12S, Pilatus
			Frakes Mohawk 198, Shorts

This chart is for reference only. Lead installation may change as a result of variations in ignition system configuration. Consult latest revision of the appropriate illustrated parts catalog for specific data. Champion FAA-PMA leads are manufactured by Champion Aerospace, Inc.

* Cessna Caravan, New Lead Routing Procedure, Outside Plenum. See PWC Service Bulletin 1512.

40 Contact your preferred distributor for Champion factory FAA certified lead overhaul program.

Turbine Ignition Leads



Aircraft Engine Applications

ENGINE APPLICATION	CHAMPION LEAD NO.	OEM LEAD NO.	AIRCRAFT APPLICATIONS
Pratt & Whitney CANADA PT-6 Series (Cont'd)			
PT6A-41AG	CH53399-06	3119836-01	Frakes Turbo-CAT, Schweizer G-164D
PT6A-45R		CH53399-06	3119836-01 Fairchild Metro IIIA, Gafhawk 125, C23A Sherpa,
Hawk Shorts 330, Shorts USAC Turbo			
PT6A-50	CH53399-05	3119835-01	DHC-7
PT6B-36/36A/36B/35F	CH53463	3123061-01	Sikorsky S-76, H-76
PT 6C-67C	CH53490	3050604-01	
PT6T-36			
PT6T-3B/3B1/6/3BE/3D	CH53399-01	3119829-01	Bell 212, 412, Sikorsky S58T
Pratt & Whitney CANADA JT15D Series			
JT15D			Aerospatiale Corvette
JT15D-1	53067-21 (Pin Connector) T3	3107371-01	Cessna Citation 500
JT15D-1A/1B	53067-38.5 (Pin Connector) T3	3107371-02	Cessna Citation I
JT15D-4			Cessna Citation II,
JT15D-4B			Mitsubishi Diamond I
JT15D-4C			Cessna Citation S/II
JT15D-4D			S211
JT15D-5,5A,5D	53300-1 (Button Connector) T5	3118347-01	Mitsubishi Diamond IA
JT15D-5,5A,5D,5F	53300-2 (Button Connector) T5	3118347-02	Beechjet, T-47A
Reference PWC Service Bulletin to Retrofit JT15D-4 to 53300-1 & 53300-2. Also See Igniter Plug Listing.			
Pratt & Whitney CANADA PW100 Series*			
PW115, 118, 118A, 199B, 120, 121, 120A	53367-01	3120676-01	Embraer EMB-120
PW123/123AF	50383H	3033339	Dornier 328
PW124B/125B	53302	3038915	ATR-42
PW126/126A	53335-01 (Ceramic)	3117291-01	DHC-8-100
PW127 H	50383-K	3035333	BAe ATP
	53335-01	3117291-01	
PW150/150A	CH53536	3056566-01	Dash 8Q, 400
	CH53456-2	3122414-04	DeHavilland
Pratt & Whitney CANADA PW200 Series*			
PW206A, C, E	CH53442-4	3121144-02	MD900, Augusta AIO9E
	CH53530	3056743-01	MD Explorer, Bell 427, EC135
PW206B	CH53442-3	3122957-01	EC135, Augusta AIO9E
PW207C, D, E	CH53442-4	3121144-02	
Pratt & Whitney CANADA PW300 Series			
PW305,306, A, B, C	CH53238-1	31B3615-02	BAe 1000, Lear 60
PW307A	CH53544-1	30P0605-02	
PW308A, C	CH53483-5	30C1133-03	Dassault- Falcon EX 2000
Turbomeca			
Arriel 1A, -1A1, -1A2, -1B, -1D, -1D1, -1S, -1S1	53317-3	9550166530	
Williams International/Rolls-Royce			
FJ44- Series	53221	50853	Cessna Citation Jet, CJ 1,2,3
		53279	50852 Swearingen/Jaffe SJ-30
Turbine Engine Applications (APU)			
Honeywell			
36-100E	50160-61	369259-61	CL 6013A
36-100 (M) -150 (M)	53359-3	3888302-3	BAe 146, 146-300
			Embraer 120
			BAe ATP 125-800/ -1000
			Cessna 650
			Saab 340
			IAI Astea 1125
36-150 (A), (AA), (J), (W), (CX)	53359-6	3888302-6	Falcon 20-5

This chart is for reference only. Lead installation may change as a result of variations in ignition system configuration. Consult latest revision of the appropriate illustrated parts catalog for specific data. Champion FAA-PMA leads are manufactured by Champion Aerospace, Inc.

**Type "2" ignition systems require Champion P/N 50383K (PWC P/N 3035333) *FAA-PMA Pending

Contact your preferred distributor for Champion factory FAA certified lead overhaul program.



Turbine Ignition Leads

Turbine Engine Applications (APU)

ENGINE APPLICATION	CHAMPION LEAD NO.	OEM LEAD NO.	AIRCRAFT APPLICATIONS
Honeywell (Formerly Allied Signal Engines) (Cont'd)			
36-150 (R)	53359-9	3888302-9	Fokker 100
	53359-15	3888302-15	
36-150 (RJ)	53359-16	3888302-16	Canadair CL-RJ
36-150 (RR)	53359-18	3888302-18	Fokker 100
	53236-5	304269-5	
36-208B	53179-1	3876132-1	Boeing 737-300, 400, 500
36-300	53179-8	3876132-8	Airbus A320, A321
	50160-7	369259-7	
85 Series	50160-20	369259-20	Boeing 727-100, 200, Boeing 737-200, 300, 400, DC 9, 10, 30, 50, MD80
131-9D	53368-1	3888316-1	MD90
	53109-3	3888076-3	
331-200,-250	53109-1, 2	388076-1, 2	Boeing 757, 767 Airbus A300, A310
	53179-6	3876132-6	
331-350C 53179-7	3876132-7	Airbus A330, A340	
	50160-47	369259-47	
TSCP 700	50160-48	369259-48	DC10, MD11 Airbus A300B
Pratt & Whitney CANADA			
ST6L-73	CH53399-08	3119834-01	Lockheed L-1011
PW901A	50383-L	3910351-01	Boeing 747-400
Sundstrand APIC (Auxiliary Power International)			
	53267-3	179505-3	
APS2000	53267-4	179505-4	Boeing 737-300, -400, -500
REPAIR KITS			
TPE331	53051	<i>(Use 52243 Crimp Tool)</i>	
TFE731	53164-3, -4	<i>(Use 52243 Crimp Tool) (-4 Includes Extension Ferrule)</i>	
PW100	53369		
PT6	53100-1, 53436		
PW305	53434		
UNIVERSAL KIT			
PT-6 Series, PW100 Series, PW205 Series	53057	<i>(PWC PN 3108407-01)</i>	
OPTIONAL TOOLS FOR REPAIR			
Crimp Tool (Ref. Sat-124)	52243		
Contact Hook	52258		

NOTES

This chart is for reference only. Lead installation may change as a result of variations in ignition system configuration. Consult latest revision of the appropriate illustrated parts catalog for specific data. Champion FAA-PMA leads are manufactured by Champion Aerospace, Inc.
 *Type "2" ignition systems require Champion P/N 50383K (PWC P/N 3035333)

42 Contact your preferred distributor for Champion factory FAA certified lead overhaul program.



Product Features

Corrosion Protection

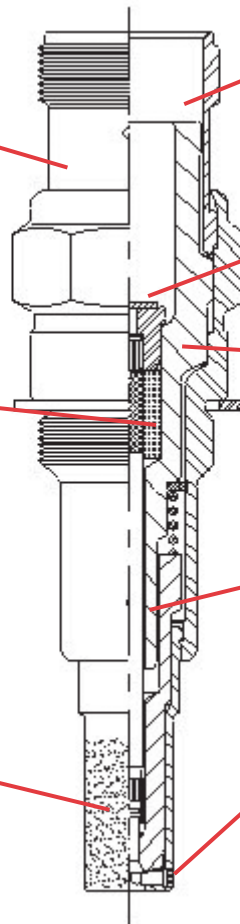
Silver-plated shell for protection against corrosion and seizing.

Leakage Protection

Dual seals for protection against gas leakage under high temperature conditions.

Protective Coating

Special coating prevents excessive chafing of shell, extending igniter service life.



Coated Bushing

Bushing coated to prevent lead sticking, allowing for easier removal and installation.

Tungsten Contact

Provides increased resistance to arcing with mating lead.

Positive Insulator Retention

Upper insulator shaped to provide positive component retention.

Shaped Insulator

Lower insulator shaped to provide positive component retention.

Patented Iridium Pin Design

Provides maximum resistance to spark erosion and increased service life.



Design Features

Champion turbine igniters are a product of the Champion Aerospace commitment to the highest standards of quality and technology, a commitment that has made Champion the #1 choice of engine manufacturers, maintenance technicians and pilots around the world.

Champion-engineered safety-retention features are the best in the business, and Champion developments in the turbine igniter design include fuel drain slots which keep the igniter from quenching out, air-cooling holes for longer life and engobe semi-conductive materials for quicker, more reliable starts.

Champion Turbine Igniters cover over 300 different engine designs and are OEM on:
Allison, Honeywell, General Electric, Pratt & Whitney, Sundstrand/Turbomeca, Teledyne, Textron Lycoming, Williams International, Westinghouse and Rolls-Royce.

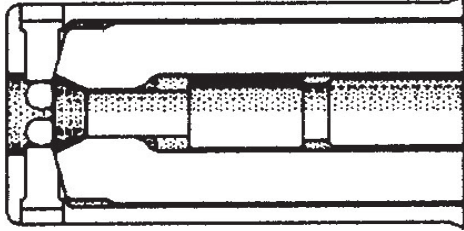
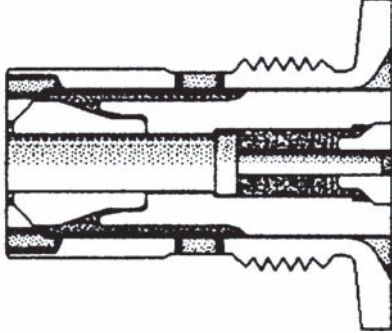
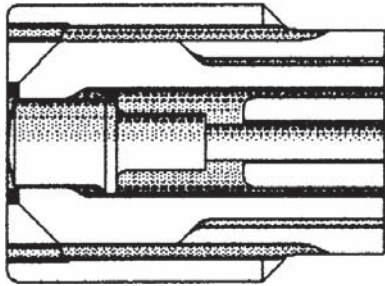
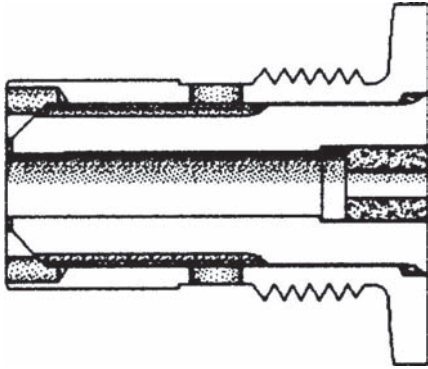
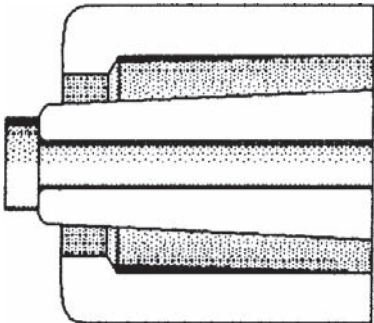

Turbine Igniters



General Aviation Igniters

For airline igniter applications consult Champion Aerospace AV-22 catalog.

Illustrated below are six plug designs by firing end configuration.

Gap Description	Typical Firing End Configuration	Gap Description	Typical Firing End Configuration
High-Voltage Recessed Surface Gap (Long Life)		Low-Voltage Surface Gap (Solid Semiconductor)	
High-Voltage Surface Gap		Low-Voltage Shunted Surface Gap	
High-Voltage Air Gap		Low-Voltage Glow Coil Element	

Igniter Replacement Gaskets

M-677	FS118-1, FS153-1, CH31547C, CH31615 (6800087)	CH63038	CH31753A, CH31773 (6800848) (nickel)
CH63008	FHE205, FHE267-2A (6800148)	6800847	CH31753A, CH31773 (cemented)
CH63037	AA138S (6800158) (copper)	6800948	CH31772A, CH31785, CH31806

General Aviation Igniters



For airline igniter applications consult Champion Aerospace AV-22 catalog.

(FAA Approved)		PRIMARY PROPULSION PLANT		
Engine Mfr. & Model	Champion Part No.	Engine Mfr. Part No.	Aircraft Make	Aircraft Model
ALLISON (Rolls-Royce)				
501-D13, -D13A, D, E, H, -D22	FS89-1	6805734	Lockheed	Convair 580, Electra, 382 Hercules
501-D22A, C, G	FS109-1A	6847727	Lockheed	L-100 Series Hercules, Convair 580A
250-B15, -B15A, -B15E, -B15G, -B17 -B17B, -B17C, -B17D, -B17E, -C10, -C10A, -C10B, -C10D, -C18, -C18A, -C18B, -C18C, -C20, -C20B, -C20C, -C20F, -C20J, -C20R/1, -C20R/2, -C20R/4, -C20S, -C20W	CH34168 or CH34269 (long life)	6877518 23006266	Aerospace Tech of Australia Aerospatale Agusta Bell Breda Helio Hiller Aviation Hindustan	Nomad 22B, N24A Twin Star AS355F-1, -2, M2, A5 555 UR- C 1 9 , 109A 206B 369D H634 Twin RH1100A HTT-34
250-B15A, -B15E, -B15G, -B17D, -B17E, -B17F, -B17F/1, -B17F/2, -C18, -C18C, -C18, -C18C, -C20J, -C20R, -C20R/1, -C20R/2, -C20R/4, -C20S, -C20W	YB63-1	1017565	MBB McDonnell Douglas Panstwowe Zaklady Partenavia Pilatus BN Schweizer SIAI Marchetti Soloy (Bell)	B0105, 105CB, 105CBS MD500, 500U, D, E, (MD-88) MI-2 AP-68TP-300 Spartacus Turbine Islander 330 SF260TP, SF600 47-Conversion
250-C28, -C28B, -C28C, -C30, -C30G, -C30G2, -C30L, -C30M, -C30P, -C30R, -C30S, -C30R/1, -C30R/3, -C40, -C40B, -C47, -C47B, -C47E, -C47M	CH34187-A or CH34304 (long life)	6899084 23006267	Bell MBB Boeing Sikorsky	Long Ranger-206-L1, 206-L3, 214, 222, 407, 430 BO-105LS-A3 530F, G, N S-76A MKII
GMA 2100A, AE2100, -2100A, -2100C, -2100D3, AE3007	CH31898-1	23062672	SAAB Embraer Cessna	2000, C-130J EMB 135, 140, 145 Citation X
GENERAL ELECTRIC				
CJ610	FHE146-7A	37C311124	Hansa Gates	HFB320 LearJet 23, 24B, 24D, 25, 25B, 25C, 25D, 25G
CF700	FHE146-7A	37C311124	Dassault Sabreliner Corp.	Falcon 20, D, E, F Sabreliner 75A
CF34-1A CF34-3A (Before S/N 350336) CF34-3A (After S/N 350336) CF34-3A (After S/N 350336) CF34-3A1, -3A2, -3B CF34-3A1, -3B1 CF34-8C1, -8C5 CF34-8E CF34-10E	FHE256-10A FHE256-10A FHE256-10B CH34661 CH31858-1, -2 CH31858-1, -2 CH31926 CH31926 CH31900-6 CH31965	4048T30P06 4048T30P06 4048T30P07 4048T30P10 4096T33P07 1374M13P11	Canadair Canadair Canadair Canadair Canadair Canadair Canadair Embraer Embraer	Challenger 601/601-3A Challenger 601/601-3A Challenger 601/601-3A Challenger 601/601-3A Challenger 601-3R/604 Bombardier CRJ-100/200 Bombardier CRJ-700-900 170/175 190/195
CT64-820-4	FHE111-30	4026T27P01		
CT7-2A, T700-T2C	CH34158	4053T22P01	Westland	W30, 200, 300/404
CT7-2A, CT7-2B, T700-T2C	CH34439	4053T22P06	Sikorsky Bell	570DC 214ST
CT7-2A, -2D1, -5A, -5A1, -5A2, -5A3, -6, -6A, -7A, -7A1, -8, -9B, -9B1, -9B2, -9C, -9D	CH34419	5044T67P07	Saab-Fairchild Sikorsky Casa EH Indust.	SF340 S-92 CN235 EN101
CT-58-100-2, -110-1, -110-2, -140-1, -140A/L -140-2	CH34095	37B200275P102	Agusta Kawasaki Mitsubishi	AS-61 KV-10711/11A SH-3B, S-61A
HONEYWELL (formally Alliedsignal Engines)				
TPE331	CH31547C**	369949-3	CASA Commander Div. Beech British Aerospace Cessna Dornier Fairchild	C212-200, -300 680T, V, W, 681, 690A, B, 840, 900, 980, 1000 King Air B100 Jetstream 31 Conquest II 228-100-200, 101, 201, 212 Merlin IIB, IVC, Metro-III, SA-227-AT, AC,
TT/41			Mitsubishi	MU2B, D, F, G, J, K, MU2B-40, MU2B-60;

Includes Installation Gaskets.



General Aviation Igniters

For airline igniter applications consult Champion Aerospace AV-22 catalog.

Engine Mfr. & Model	(FAA Approved)		PRIMARY PROPULSION PLANT	
	Champion Part No.	Engine Mfr. Part No.	Aircraft Make	Aircraft Model
HONEYWELL (formally Alliedsignal Engines)				
TPE331-14, -14A, -14B	CH31701A	3105547-1	Piper	Cheyenne 400
TPE331-14 GR/HR	Y209-2 CH34627-1	3105893-4 3105893-5	British Aerospace	Jetsream 41
TFE731-2, -3, -3A, -3B, -3R, -3AB, -3AR, -3B, -4R-2S, -5, -5A, -5R, -5AR	CH31815-2 (long life) CH31621A	3074541-4 3070967-1	Cessna Dassault Bombardier British Aerospace	Citation III, Citation VII Falcon 10A, 50, 100, 900, CASA 101 Lear Jet 31, 35, 36, 54, 56, LR55-ER, -LR, XLR 125-700, 731, 800
TFE731, -20, -40, -60	CH31815-2	3074541-4	Israel Aircraft Ind Lockheed Sabreliner Corp	Westwind 1124, 1124A, Astra 1125 Jetstar II, 731 Sabreliner 65/65A
ATF3-6, -6A Requires both numbers listed	CH31641 (lower) or CH31642 (upper) CH31767 (lower) (long life) CH31768 (upper) (long life)	3001430-1 3001430-2 3003119-1 3003119-2	Dassault	Falcon 200, French Guardian, HU-25A
T53-07A, T53-09A, B, C, T53-11A, T53-13B, T53-17A, T53-13A	FHE113-10 CH34016-1	1-300-197-03 1-300-348-06	Bell Bell	204B, 205 205A
LTS-101-600A, -600B, 650A-2, 650-A1, 750A-1	CH34016-1	1-300-348-06	Aerospatiale	AS350, AS350D Astar, SA-633G1, Dauphin 2
LTS-101-650C-2, -650C-3, -650C-3A, 600A-2, -650B-1, -600A3, -750B-1, -750C-1	CH34016-1	1-300-348-07	Bell	214A, 222, 222B, 222U, 222UT
LTP-101-600A-1A -700A-1A	CH34016-1	1-300-348-07	MBB/Kawasaki Air Tractor Piaggio	BK-117-A3 AT-302 P166-DL3 Page AG-Cat B, Thrush
ALF-502-L, -L2, -L2A, -L2C, -L3, -R3, -R3A, -R4, -R5, -R6	CH34452A	2-300-732-05	Canadair British Aerospace	Challenger CL600 BAe 146-100, 200, 300, QT
AL-512	CH34135	2-300-821-01	Boeing Vertol	Chinook 234, 234ER, 234LR, 234MLR, 234U
LF507-1F, -1H	CH34452A	2-300-732-05	Fadec equipped	AVRO-RJ Series
HTF7000 (formerly AS907)	CH34826-6*	3038110-6	Bombardier	Challenger 300
PRATT & WHITNEY				
JT12A, -4, -5A, -6, -6A, -8 J60-P-5B	FHE151 or AA33S, A, D	424815 424848-E	Lockheed Sabreliner Corp.	Jetstar Sabreliner 40, 60
JTFD12A	FHE151	424815	Sikorsky	CH54A, S-64E, -F, Skycrane
PRATT & WHITNEY CANADA, INC.				
(Glow Plug Ignition) PT6A-6, -6A, -B, -11, -11AG-20, -15AG -20A, -20B, -21, -25, -25A, -27, -28, -28A, -29, -34, -34B, -36, -110	AGF2-6	3014054	Beech DeHavilland	KingAir Commuter 90, A90, B90, C90, E90, 99 & 100, A100 Turbo Beaver, Twin Otter
PT6A-29, -34B, -AG, -36, -38, -40, -41, -41AG, -42, -45A/B/R, -50, -60A, -61A, -65B/R/AG/AR, -110, -112, -114, -116, -121, -135A	CH34055 or CH34406	3035102 3035882	Aerospatiale Agusta-Bell Airtractor, Inc. AVTEK Ayers Beech Bell Cessna DeHavilland Dornier Embraer	TBM 700 AB-212, AB-412 AT-400, AT-400A, AT-402, AT-502, AT-503 400 Turbo Thrush S2R-T C-90, King Air-200, F90A, 1900, 300, 350, 212, 412 Conquest 1, Caravan I, II Dash 7 DO-128-6, DO-24-TT, Seastar Bandeirante, Xingu, Appjost, Tucano
PT6B-9, -35F, -36A, -36B				
PT6C-67A, 67C	CH34758-2	3050627-03	Frakes	Mohawk 298, Turbo-Cat S2-R, AB139

* FAA-PMA Pending

**Includes Installation Gaskets

General Aviation Igniters



For airline igniter applications consult Champion Aerospace AV-22 catalog.

Engine Mfr. & Model	(FAA Approved)		PRIMARY PROPULSION PLANT	
	Champion Part No.	Engine Mfr. Part No.	Aircraft Make	Aircraft Model
PRATT & WHITNEY CANADA, INC. (Cont'd)				
PT6T-3, -3A, -3B, -3BE, -3D, -3DE, -3DF PT6A, PT6B, PT6T Series (Spark Ignition)	CH34406 or CH34055	3035882 3035102 (IC 3032096)	Bell Piaggio Pilatus Piper Short Bros Sikorsky Westland	212, 412 Avanti, P180 PC-6, -7, -12 Cheyenne, I, II, III, IIIA, IIXL, TIO40 SD-330, 360 S58T, S76B Lynx
PW-100, -115, -118, -119B, -120, -120A, -121, -123/B/C/E, 123AF, -124/A/B, -125B, -126, -126A, -127E	CH34817 CH34055 or CH34406	3055161-01 3035102 3035882	Aerospatiale/Aeritalia British Aerospace DeHavilland Dornier Embraer Fokker	ATR-42, 72 ATP DASH 8 328 EMB 120, 121, Caraja 50
PW150, A	CH31918-2 CH31955-1	3122415-03 3056557-02	DeHavilland	Dash 8/400
PW206 A	CH34643-1	3120953-01	Eurocopter	EC135
PW206A, B, B2, C, E	CH34723	3120880-01	McDonnell Douglas	MD900, A109E, B0108, EC135
PW305A, 305B, 306A, 306B, 306C	CH34682**	31B5168-01 31B5268-01	British Aerospace Lear	BAe 1000, Cessna Sovereign, 328 Jet G200
PW307	CH31958-3	30P0606-03	Dassault	Falcon 7X
PW308A, C	CH31929-4	30C1356-04	Raytheon, Dassault	Hawker Horizon, Falcon 2000EX
PW500 Series	CH34804-3	9058600-1	Cessna	Bravo, Encore, Excel
JT15D, -1, -1A, -1B, -41, -4B, -4C, -4D, -5, -5A, -5B, -5C, -5D, -5F	CH34668-1 (T5) CH34659-3 (T5) Long Life FHE246-4 (T3)	3117463-01 3119400-01 3039828	Aerospatiale Cessna Beech SIAI-Marchetti	Corvette SN601 Citation I, II, SII, 5 Ultra MU-300 Diamond I, IA, II, Beechjet 400 S211
ROLLS ROYCE				
BR700, 710A1-10, 710A2-20	Y242-5	Y242-5	Gulfstream	GV, Canadiar Global Express
BR710	Y242-5	272143	Bombardier	Global Express
Dart	FHE19-6L	CR104-2	Convair Fokker, Fairchild Gulfstream NAMC	600, 640 F27, FH227 Gulfstream I, Albatross YS-11
R-R Snecma M45H-Mark 501	CH34126	CBS113-1, 2	Fokker	VFW614
Spey RB168, RB183, 506-14, -14A, -14C, -14D, 511-14, -14W, -8, 511-8/Model 2970, 555-15/H	FHE164E YW90	CR114-2 L912017	Gulfstream British Aerospace Fokker	GII, III 111 F28
Bristol Siddeley-Viper 500 Series, MK521, 522, 526 R.R. Viper	FHE205B	CBS116	Beech Hawker Siddeley Piaggio	BH-125 HS-125 PD-808
Bristol Siddeley-Viper 600 Series, MK601-22, R.R. Viper TAY 611-8, 611-8C, 620-15, 650-14, 650-15	FHE267-2A** Y183-5	CBS111-2 L912019	Hawker Siddeley Gulfstream Fokker	HS125-600 GIV, GIV-SP F100, F70
TAY 650-14, 650-15, 651-54 Incorporating modification 72-1302	Y183-6	L912023	Folker	F100
TURBOMECA				
Arriel 1A, -1A1, -1A2, -1B, -1C, -1C1, -1C2, -1D -1D1, 1E2, -1K, -1K1, 1S, -1S1, 2C1, 2C2	CH34745	9550175400	Agusta Eurocopter Sikorsky	109K Astar, AS350, BK117, EC145, EC155 S-76
Arriel 1A, -1A1, -1A2, -1B, -1D, -1D1, 1S, -1S1, -2B	CH34595	9550168770	Eurocopter	AS350, AS365NE, EC120, EC130, EC135
Arrius 2F, 2B	CH34593	9550166660	Eurocopter	EC-120

* FAA-PMA Pending

**Includes Installation Gaskets

NOTES



General Aviation Igniters

For airline igniter applications consult Champion Aerospace AV-22 catalog.

(FAA Approved)		PRIMARY PROPULSION PLANT		
Engine Mfr. & Model	Champion Part No.	Engine Mfr. Part No.	Aircraft Make	Aircraft Model
WALTER				
M601E-11, M601F	CH34630			Let L-420, PZL-106 BT
WILLIAMS INTERNATIONAL/ROLLS-ROYCE				
FJ44-1A, -2A, -2C	CH31956	68032	Cessna Raytheon Swearingen	Citation Jet, CJ1, CJ2, CJ3, CJ4 Premier I SJ30
FJ33	CH34812-2	67906	Adam Aircraft	A700
TURBINE ENGINE APPLICATIONS (APU)				
AUXILIARY POWER INTERNATIONAL CORP.				
APS500-T62T-40C14 APS1000 (T-62T-46C) APS2100	CH38013	160544-1	Fokker Embraer Saab Avro	50 (F27 Mark 050) EMB-135, -145 2000 146-RJ70A, 85A, 100A
APS2300	CH34848	4952647	British Aerospace	BAe 146-100A, 200A, 300A
HAMILTON SUNDSTRAND				
T20G Gemini	CH38013	160544-1	Beech Cessna Gulfstream Aerospace Gulfstream Commander Israel Aircraft Lear Mitsubishi/Beech Piper Swearingen	King Air Citation I, II 980 Commodore Jet Lear Jet Diamond I, MU-2 Cheyenne Merlin, Metro
T62T-39 T62T-40C Series (APS 500)	FHE159-6	26519-1	Boeing Boeing Vertol Cessna Convair Dassault DeHavilland Cessna Fairchild Gulfstream BAe Raytheon Lockheed Sabreliner Corp.	707 Model 234 Citation III 880 Falcon 20, 20D, 50 Dash 7, Dash 8 Citation III, VI, VII FH227 II 125-400, -600, -700, -800, -1000 Beech Jet Jetstar Sabreliner
T62T-40C14-APS 500 R/C14 is installed	CH34834	4952382	Embraer	ERJ 135/145, Emb 120
HONEYWELL				
85-37 85-71, -90E P85-90F	FS47-11	75153	Grumman Convair	Gulfstream I 580
85-91C 85-98/C/CK 85-98/CK (A) 85-980/W/DCK/DHF 85-99 85-115/C/CK 85-115H 85-129/-129A, C, E, F, G 85-139/H 85-163/CK 85-185L 85-291C 85-291E 30-54 30-95, 141 30-92	CH31723 or CH31824 FS47-11 CH31615** CH31615**	369162 3888210-1 75153 369964-5 369964-5	Convair 580 Sud Aviation British Aerospace Hawker Siddeley Hawker Siddeley Aerospatiale Convair Fairchild Convair Hawker Siddeley Lockheed Dassault	580 Caravelle BAe III Trident III Trident I & II Mercure 2 580 (Avensa) F27 600 DH125 Jetstar Falcon

**Includes Installation Gaskets *FAA-PMA Pending

48 Contact your preferred distributor for Champion factory FAA certified Igniter inspection program.

General Aviation Igniters



For airline igniter applications consult Champion Aerospace AV-22 catalog.

(FAA Approved)		AUXILIARY AIRBORNE TURBINE UNIT		
Engine Mfr. & Model	Champion Part No.	Engine Mfr. Part No.	Aircraft Make	Aircraft Model
HONEYWELL (Cont.)				
36-4A 36-6 36-16/-16A 36-28 36-50	CH31615** FHE159-6	369964-5 3888002-1	Fokker Grumman NAMC Fokker Fokker	F28 GII YS-11 VFW614 F28
36-100 (E), (M)	CH34249 or CH34492 or CH31713 CH34553 CH34585	3888096-1 3888096-2 369964-6 3888096-3 3888096-4	Dassault Canadair Fokker Hawker Siddeley DeHavilland British Aerospace Canadair	Falcon 50, Falcon 20G CL-600, 601, 604 F28 HS125-700 DHC-5 BAe146-100/200 CL-RJ, CRJ200
36-150RJ 36-150 Series (Except-F2M)	CH34549 CH34313	304634-2 3888002-2	Embraer British Aerospace Aeritalia Aerospaziale Dassault Cessna Fokker Dornier IAI Saab-Fairchild	EMB-120 BAe/AERO 146-300, 125-800/1000 ATR-42 Falcon 900, 20-5 Citation III, X 100 DO-328 AstrA 1125 340
36-150 (RJ) (RR)	CH34549	304634-2	Bombardier Fokker	CL601, RJ100, 200, Fokker-100 100
36-150 F2M	CH34706	3888002-5	Falcon	2000
RE220 (RJ)	CH31930	WB3888446-1	Bombardier	Global Express, CRJ 700, 900
RE220 (GV)	CH34730 (Series 21)	WB3888401-1	Gulfstream	GV
TURBINE ENGINE APPLICATIONS (GPU)				
Engine Mfr. & Model	Champion Part No.	Engine Mfr. Part No.	Applications	
ALLIEDSIGNAL AUXILIARY POWER (ASAP)				
85-90	FS47-11 (HV) or	75153	Various Ground Power Equipment Manufactur-	
85-91	FHE118 (LV), (-1B)		ers	
85-291	CH31723 or	373399 or 369162	Various Ground Power Equipment Manufacturers	
85-184	CH31824 (long life)	3888210-1		
PRATT & WHITNEY CANADA, INC.				
ST6-77 FAA-PMA Pending	CH34055	3035102	AIRCO	

NOTES



Table of Contents



MODEL/PART NO.	EQUIPMENT DESCRIPTION	PAGE
Model 2600A & 2600AX-CE*	Spark Plug Vibrator Cleaner	52
Model CT-475AV-CE*	Cleaner and Tester	52
CT-906	Plug Master Flex-Handle Ratchet Wrench	53
CT-907	Plug Mate Magnetic Spark Plug Socket	53
No. 2612	Spark Plug Lubricant	53
CT-709	Oil Filter Wrench	54
CT-913A, B	Lead-Master Wrenches	53
CT-456A	Spark Plug/Igniter Viewer	53
CT-496	Igniter Lead Connector Wear Gauge	54
CT-497	Igniter Lead Connector Wear Gauge	54
CT-911 & CT-912	T-Handle Wrenches	53
CT-449	Thread Clean-Out Tool	54
CT-457	Fine Wire Gap-Setting Tool	54
CT-415AV	Gap-Setting Tool	54
CT-450	Retractable Gap Gauge	54
Model 2500A	Gap-Setting Tool	56
CT-494	Igniter Erosion Gauge	55
No. 52243	Crimping Tool	54
CT-446	Spark Plug Tray	54
CT-923	Oil Filter Can Cutter	55
CT-924	Can Holder	55
CT-925	Media Cutter	55
CT-492	Igniter Erosion Gauge	55
CT-498	Igniter Erosion Gauge	55
No. 91893	Abrasive Compound	55

*Pending Approval

Service Tools & Equipment

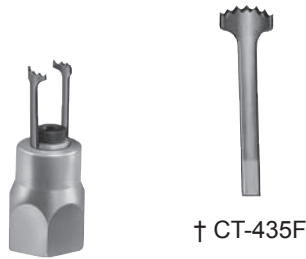
LICENSE ARRANGEMENT: Champion service tools are distributed under license by Ideal Aviation, Mesa, AZ.



Service Tools & Equipment

Model 2600A Domestic/Model 2600AX-CE*

Spark Plug Vibrator Cleaner



† CT-435A Assembly
Fine Wire and Two Prong

The Champion vibrator cleaner has been designed to clean fine-wire or massive-electrode spark plugs that accumulate heavy lead compound deposits. Such deposits are virtually impossible to remove with standard abrasive cleaners.

- Quick-change cleaning head assemblies
- Easy replacement of single cutter blades
- Powerful vibrator drive unit for reliability and long life
- Flexible rubber mounting for portable or permanent bench installation

Specifications

Size: 5 1/4" x 4 1/4" x 7 1/2"
(13.4 x 10.8 x 18.7 cm.)

Shipping Wt: 7 lbs. (3.2 kg)
(incl. accessories)

Carton Size: 8" x 8" x 8"
(20.0 x 20.0 x 20.0 cm.)

Electrical Requirements: 110 V 60 Hz AC
(Domestic)

Electrical Requirements: 220 V 50 Hz AC
(Export)

ACCESSORY PARTS LIST

Qty.	Description	Champion P/N
1 ea.	Vibrator Drive Unit	
1 ea.†	Single Head Assembly A	CT-435A
10 ea.†	Full Cutter Blades (1 pkg)	CT-435F
1 ea.†	9/64 Allen Wrench	

† Parts standard with Model 2600A.

REPLACEMENT PARTS LIST

Part No.	Description
2600-4	Switch
2600-6	Adjustment Stud
2600-7	5/16" - 18 Stop Nut
2600-10	Vibrator Damper
2600-11	Vibrator Unit
2600-19	#8-32 X 1/4" Set Screw

Contact Champion for parts other than those listed.

Model CT-475AV-CE* (Export)

Spark Plug Service Unit



Cleaner & Tester

For Cleaning: Two flexible rubber adapters handle 14 and 18mm plug types.

Specifications

Size: 11 1/2" x 16 3/8" x 12 1/8" (29.2 x 41.5 x 30.7cm)

Shipping Weight: 15 lbs. (6.80 kg)

Color: Grey, Red, Black

Compressed Air Required: 125 - 180psi (8.9 - 12.8 kg/cm²)

Electrical Requirements: 115/230 V (50 - 60 HZ 35 W)

Carton Size: 12 1/2" x 13" x 17 1/2" (31.8 x 33.0 x 44.5 cm)

Note: Use 91893 abrasive charge only. (See Replacement Parts List.)
Model 800 Cleaners, use two (2) charges.

For Testing: Steel adapters of 14 and 18 mm are standard equipment and conveniently stored on top of cleaner for ready availability. Molded of rugged A. B. S. plastic which is durable, oil resistant and easy to clean. An aluminum-base frame is included, which permits easy mounting to a work bench and quick removal.

The solid state ignition system produces a stable ignition test voltage providing greater accuracy and reliability. Its lack of moving parts eliminates the major cause of tester failures.

Cleaning is by a dry-abrasive air blast, which quickly and effectively removes conductive deposits.

All compressed air for both cleaning and testing passes through a "built-in" automatic water trap to stop harmful air line moisture.

REPLACEMENT PARTS LIST

Description	Part No.
Water Trap	91010
Airline Section L2.....	91053
Steel Adapter 18mm.....	91096
Airline Section L5.....	91138
Mirror	91836
Rubber Adapter 14mm	91657 (5-502)
Abrasive Charge.....	91893(533)
Steel Adapter 14mm.....	91299
Airline Section L3.....	92048
Rubber Adapter 18mm	92203 (5-503)
Ignition System Retro Fit Kit.....	91817
Red and Black Knob Kit.....	92401
Adapter Hold Down Cap.....	92463
Switch-Push Button	92487
Valve Stem, Knob & 'O' Ring.....	92548
Cleaner Valve Assembly.....	92746
Water Trap Bowl Kit.....	92784 (L300)
Cleaner Bag/Manifold Assembly.....	93095
Airline Section L1.....	93250
Steel Nozzle Jet.....	93274 (5-512)
Compression Chamber Assembly	93330
Elect. Control Module/Switch & Leads	93415
Cleaner & Bag (CT-475 Only).....	93453
Coil (CT-475 Only).....	93519
Rubber Nozzle Tip.....	94023 (622)
Hinge and Spring Kit.....	94245
Air Inlet Nipple/Mounting Nut.....	94283
Airline Section L4.....	94306
Abrasive Shield.....	94486
Compression Gauge.....	94523
Shielding Barrel Contactor.....	94783 (8-683)
Cleaner Bag Model 800, 2400.....	8-813

LICENSE ARRANGEMENT: Champion service tools are distributed under license by Ideal Aviation, Mesa, AZ.

Service Tools & Equipment



CT-906	CT-907	CT-456A
<p>Plug Master Flex-Handle Ratchet Wrench (Formerly CT-405)</p>	<p>Magnetic Spark Plug Socket (Formerly CT-430)</p>	<p>Spark Plug/Igniter Viewer, 10X</p>
<p>Especially designed to make spark plug removal and installation easier and faster. Flex-handle allows 30° angle travel in either direction. Extra fine reversible ratchet action requires only 6° travel for next bit. Popular 3/8" (0.95 cm) square drive fits Model CT-907 and other standard sockets. Knurled handle, rust-resistant chrome finish.</p> <p><u>Approximate Length:</u> 11" (27.9 cm) long</p> <p><u>Weight:</u> 12 oz. (340 g) Packed individually.</p>	<p>A companion tool to the champion plug-master and other 1/2" (0.95 cm) square drive wrench handles. Especially designed for shielded aviation spark plugs. Built-in permanent Alnico magnet holds plugs firmly, practically eliminating dropped plugs.</p> <p><u>Finish:</u> Chrome</p> <p><u>Length:</u> 3-1/2" (8.9 cm) 1/2" (0.95 cm) square drive 7/8" (2.2 cm) deep hex.</p> <p><u>Weight:</u> 8-1/2" oz. (241 g) Packed individually.</p>	<p>Permits close examination of fuel deposits over the entire length of the insulator nose revealing incomplete or uneven abrasive cleaning. Detects cracked or chipped insulators. Checks condition of electrode sparking surfaces and dramatizes the need for replacement of worn-out spark plugs.</p> <p><u>Size:</u> New</p> <p><u>Replacement Bulb:</u> P/N: 2300-350-000</p>

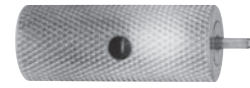


CT-913A, B	CT-911 & CT-912	No. 2612
<p>LeadMaster Wrenches</p>	<p>T-Handle Wrenches</p>	<p>Spark Plug Thread Lubricant</p>
<p>Lead-Master wrenches reduce time to remove and install spark plug ignition leads, also permits short arc turning due to 12-point grip head.</p> <p><u>Shipping Weight:</u> 9 oz. (280 g)</p>	<p>CT-911 Special 3/4" (1.9 cm) open box wrench.</p> <p><u>Shipping Weight:</u> 4 oz. (112 g)</p> <p>CT-912 Special 7/8" (2.2 cm) open box wrench.</p> <p><u>Shipping Weight:</u> 4 oz. (112 g)</p>	<p>A high-temperature, graphited lubricant for application to spark plug installation threads to prevent galling and seizure. Sturdy plastic 4 fl. oz. bottle with brush attached to cap.</p> <p><u>Size:</u> 5-5/8" x 7-1/4" x 5-1/4" (14.4 x 18.4 x 13.3 cm)</p> <p><u>Shipping Weight:</u> 4 lbs. (1.814 kg)</p>

LICENSE ARRANGEMENT: Champion service tools are distributed under license by Ideal Aviation, Mesa, AZ.



Service Tools & Equipment



CT-496

Igniter Lead Connector Wear Gauge

Igniter lead connector wear gauge for ARP670 type 2M fittings common to PT6 leads and others. Features a calibrated pin to measure connector wear. Opposite end sized to measure neoprene grommet expansion.



CT-449

Thread Clean-Out Tool

For cleaning aircraft engine spark plug 18 mm bushings to assure correct installation of new or overhauled spark plugs. Regular 7/8" (2.22 cm) hex fits spark plug sockets. Precision ground threads, three deep flutes retain carbon debris.

Approximate Length: 4" (10.1 cm) long

Weight: 7 oz. (198 g) Packed individually.



CT-450

Retractable Gap Gauge

High impact red plastic case contains 4 sets of accurate retractable go and no go wire gauges:

2 sets: .015 - .019 (.016 Nom)
(0.40 - 0.50 mm)

2 sets: .018 - .022 (.019 Nom)
(0.45 - 0.55 mm)

Size: 3-1/2" (8.9 cm) long

Weight: 1-1/4 oz. (35 g)

Replacement package of 4 wire gauge sets complete as described above. Order Part No. CT-450-WG.

CT-709

Oil Filter Wrench

Designed for easy removal of Cessna oil filter adapters from 150 Series thru 300 Series aircraft. Manufactured from tool quality steel, features both 3/8" and 1/2" drives, as well as "flip over" reversability.

Shipping Weight: 11 oz. (311 g)



CT-415AV

Gap Setting Tool w/ 7/8" Thread Adapter w/ CT-466

A low-cost efficient gap setting tool for closing gaps on massive electrode-type aviation spark plugs. Designed for use as a hand tool, for mounting on a bench, or to be held in a vise. Complete with one adapter for 18mm massive plugs (Part No. GT-204) and one CT-450 gap gauge. Also includes GT-208 adapter for regapping REM37BY plugs.

Size: 7-1/2" (19.5 cm) High

Weight: 1-1/2 lbs. (0.68 kg)
Packed individually.



CT-457

Fine Wire Gap Setting Tool

Designed exclusively for adjusting fine wire electrode spark plug gaps. Two sizes of slots fit all platinum or iridium ground electrodes for quick, safe adjustment. Red plastic case.

Size: 2-1/4" x 2" x 1/4" (5.7 x 5.0 x 0.63 cm)

Weight: 1/2 oz. (14 g) Packed individually.

CT-497

Igniter Lead Wear Gauge

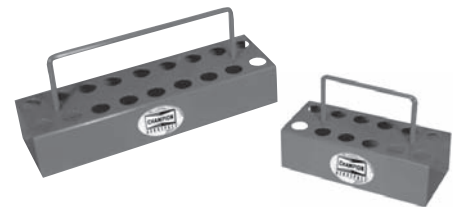
Igniter lead connector wear gauge for ARP670 Type 3M fittings common to TPE6331, TFE731 leads and others. Features a spring weighted pin for an accurate "pull test" of connectors.

Size: 15/16" (3.33 cm)

Shipping Weight: 11 oz. (311 g)

Carton Size: 3-1/2" x 1-1/4" x 1-1/4"
(8.89 x 3.18 x 3.18 cm)

Note: Many leads incorporate type 2M & 3M connectors at opposite ends. Both CT-496 & CT-497 gauges are recommended.



CT-446 & CT-446-18

Spark Plug Tray

Sturdy steel tray holds up to 12 or 18 aviation spark plugs. Speeds handling of used or new plugs. Holes numbered to correspond with engine cylinders. Protects against shielding barrel contamination. Flat rubber, non-slip pads.

Approx. Length: 5" x 8" x 3-1/2"
(12.7 x 20.3 x 8.9 cm)

Weight: 7 oz. (198 g) Packed individually.



No. 52243

Crimping Tool

A special tool used to crimp turbine ignition lead contacts to the unshield center wire.

Shipping Weight: 14.4 oz. (408 g)

LICENSE ARRANGEMENT: Champion service tools are distributed under license by Ideal Aviation, Mesa, AZ.

Service Tools & Equipment



CT-923

Can Cutter

The new improved CT923 Cutter allows for oil filters to be cut in either direction. This is a complete tool with no parts or adapters to change. It is very easy to use, and will provide a simple effective means of cutting open oil filters. The cutter blades in the CT923 are the same blades that are used in the CT470. Also cuts the Champion RBC308 filter used on the Rotax 912 and 914 engines.

NOTE: CT-923-4 Cutter Blade

CT-494

Igniter Erosion Gauge

The CT-494 accurately determines wear on 10 of our most popular surface gap igniters, insuring maximum igniter life without exceeding safe wear limitations. For use with following igniters:

CH31547, CH31621, CH34055, CH34168, CH34187, CH34269, CH34304, CH34406, FHE146-7 and FHE246-4

Heavy duty protective sleeve included.

Shipping Weight: 1 oz. (28 g)

CT-921

Oil Filter Torque Wrench



The CT-921 can be used for oil filter installation and removal. It is calibrated to 17 foot pounds, the recommended torque. Can easily be recalibrated when necessary. 1" Hex.



No. 91893

Abrasive Compound

No. 91893 abrasive compound replaces #533 abrasive in all Champion spark plug cleaner units. Cleaners formerly using the #533 abrasive will require two bags of 91893 to fully charge the unit.

CT-498

Igniter Erosion Gauge

A special tool designed specifically to measure the firing end erosion wear of Champion CFM56 series igniters. Calibrated to determine the extent of erosion of the undercut area of the steel not easily visible to the eye. The measuring tip is shaped to reach into the undercut, true-wear area. For use with Champion CH31806 and CH31900 igniters only.

Size: 6-1/4" x 4-1/4" x 1-1/2"
(15.8 x 10.7 x 3.8 cm)

NOTE: The tool is not interchangeable with the CT492 which is similar.

CT-492

Igniter Erosion Gauge (Formerly CT-468)

A special tool designed specifically to measure the erosion-wear of Champion AA series igniters. Calibrated in color scale segments to determine the extent of erosion of the undercut area of the steel shell, not easily visible to the eye. Measuring tips shaped to reach into the undercut, true-wear area. Instructions for use included in special plastic box.

Size: 6-1/4" x 4-1/4" x 1-1/2"
(15.8 x 10.7 x 3.8 cm)

Shipping Weight: 10 oz. (238 g)

The chart below should be followed when replacing abrasive:

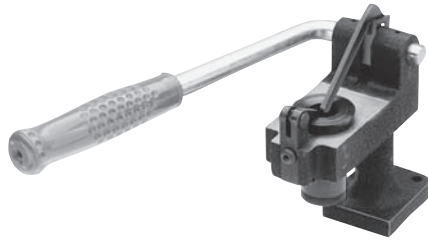
1. Use two bags of 91893 abrasive to fully charge Champion 2400, 800H, 800E and 700 cleaners.
2. Use one bag of 91893 to fully charge the CT475AV cleaner/tester.

#622 Teflon nozzle tip sold separately.

LICENSE ARRANGEMENT: Champion service tools are distributed under license by Ideal Aviation, Mesa, AZ.



Service Tools & Equipment



CT-2500A

Gap Setting Tool

Complete with accessories and gauges listed below, instructions for use. Packed individually, partially assembled.

Size: 6" x 5 1/2" x 6" (15.2 x 13.9 x 15.2 cm)

Handle Size: 9 1/2" (24.1 cm) long

Shipping weight: 5 1/2 lbs. (2.49 kg)

A precision gap-setting tool for all massive-electrode Champion spark plugs. Permits simultaneous adjustment of two opposite prongs without removing the spacing gauge. Designed for permanent installation on bench or heavy wooden board.

Replacement Parts For 2500A Gap Setting Tool:

CT-458-2	Lever
CT-458-3	Toggle Link
CT-458-4	Toggle Arm (<i>Long Top Arm</i>)
CT-458-5	Toggle Pin
CT-458-6	Stationary Finger
CT-458-7	Stationary Finger Support
CT-458-10	Upper Collet Bushing
CT-458-11	Centering Bushing
CT-458-12	Collet Adjustment Bushing
CT-458-13	Spring Pin
CT-458-15	Finger Pin
GT-1-17L	Spacing Gauge .015" (0.15-.019/0.40-0.50mm)
GT-1-17J	Spacing Gauge .018" (0.36 - 0.46mm)
GT-1-27	Spacing Gauge Handle Assembly

Note: Parts not listed are either standard or not normally required.

Accessories Packaged in Model 2500A Gap Setting Tool:

10 Qty.	GT-1-17L	Spacing Gauge .015 - .019" (0.40 - 0.50 mm)
1 Qty.	GT-1-27	Spacing Gauge Handle Assembly.

Current/Discontinued Aviation Spark Plugs

SIZE	CURRENT PLUG TYPES	DISCONTINUED PLUG TYPES
18mm 1/2" Reach:	M40J* M41E REM40E REM38E REM38S RHM40E RHM40E RHM38E RHM38S	AY4 M42E, M41N, D41N, C27, C26 EM41E, EM42E, ED41N, C27S, C26S, REM39N, RED39N, RC26S REM37N, RED37N, R25S REM38P, REM38W HM41E RHM39N, RHD39N RHM37N, RHD37N RHM38P, RHM38W
18mm 13/16" Reach:	REB37E REB36S REB32E - RHB37E - RHB32E RHB29E RHB36S RHB32S RHB27S RHB27S	REB37N, REA37N, R37S-1, RC35S, C35S, REB87N, REA87N, REB36W, R819, HO14S REB32N, REA32N, R56S, RC34S, C34S REB29N, REA29N, R33S RHB38E, RHB37N, RHA37E, RHA37N, RHB87N, RHA87N, R119, R115 RHB32N, RHB33E, RHA32E, RHA32N, R111 RHB29N, RHA29E, RHA29N, R103 R214D, RHB36P, RHB36W RHB32P, RHB32W RHB27P RHB27W
18mm 1-1/8" Reach:	RHU32E RHU27E RHU32S	RHU37E RHU30P, RHU30W
14mm 3/8" Reach:	REJ38 NON-SHIELDED UNAVAILABLE	C10S4, 78S J43, AJ66
14mm 1/2" Reach:	RHL27SA* RHL28SA* REL37B NON-SHIELDED UNAVAILABLE EL602YC	HL26P/HL601P* HL31P/HL602P* REL37W, REL38B L34R, AJ10 EL601Y
14mm 3/4" Reach:	REN30S	

Champion service tools are distributed under license by Ideal Aviation, Mesa, AZ.

* Racing Spark Plug Only.

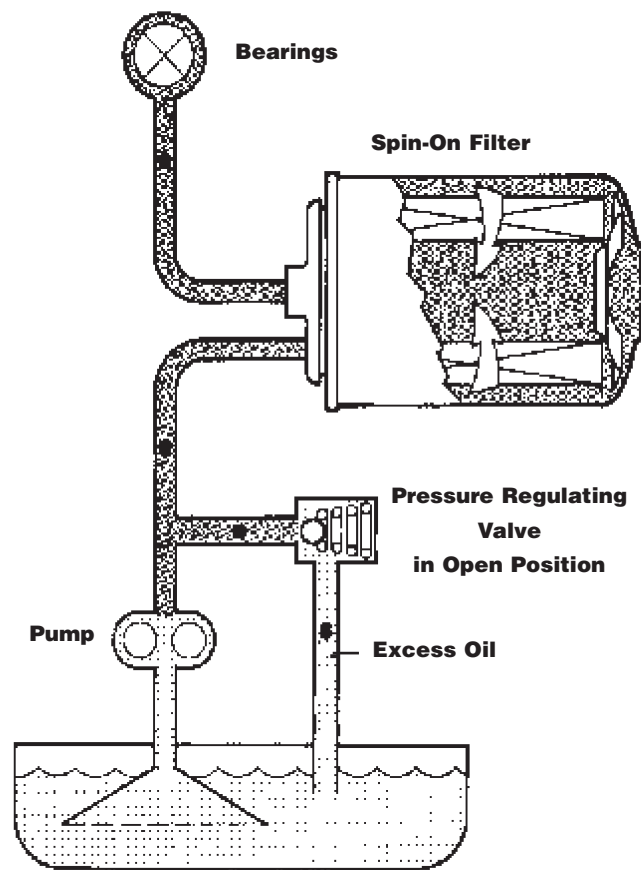
Over Pressurized Lube Oil Filters

Have you ever had a filter that appears to be “BLOWN UP”? Looks like a balloon or the gasket is protruding from the base of the filter? Often the deformed filter is the only sign that a problem existed in the lube oil system.

The first thing you want to blame is the filter. However, if the pressure was sufficient to blow out the gasket or unroll the lockseam, the pilot may have experienced immediate and costly problems. This should be considered a non-airworthy condition.

A look at how a lube oil system functions will show that the oil pump creates oil pressure. A pressure-regulating valve controls the upper limit of this pressure, which is usually an integral part of the pump.

Figure 1 is a simplified diagram of the lube oil system showing the pump, regulating valve, filter and bearings.



NORMAL PRESSURE

FIG. 1

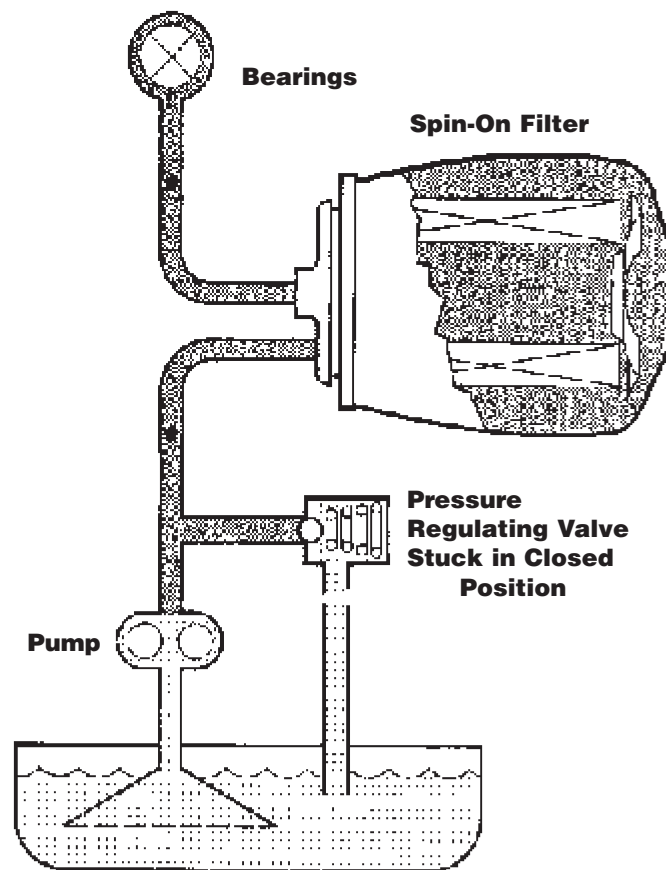
The oil pump supplies sufficient flow to lubricate the bearings and other moving parts of the engine. This oil must be under pressure if it is to properly separate the highly loaded parts of an engine and prevent excessive wear. The purpose of the regulating valve is to provide a constant pressure for the system.

Continue On next page...

The regulating valve consists of a ball or plunger, which regulates pressure with the aid of a spring. The spring is calibrated so that the plunger will lift off its seat when the oil pressure reaches the desired setting. Once the valve is open, the pressure remains fairly constant with only small changes occurring as the engine rpm varies.

The filter and all other components in the oil system are subjected to the pressure established by the regulating valve. If this pressure is excessive, filter damage may occur. This is the point that many mechanics that are not familiar with lube systems fail to realize. Just remember any blockage in the system can also send the pressure beyond what the filter can stand which is rated at 400 psi. Burst.

Figure 2 shows the system operating with the regulating valve stuck in the shut position. Under this condition the pressure will build up in seconds and unless something happens to relieve the pressure the filter will become the victim and not the cause. With a high spike of pressure the gasket will blow out or the lockseam will unwind as the pressure increases.



EXCESSIVE PRESSURE

FIG. 2

In conclusion, if a filter distorts due to over pressure in the system, the fault might be the regulating valve **Not the filter**

CHAMPION AEROSPACE PRODUCTS WARRANTY

SPARK PLUGS, IGNITERS, OIL FILTERS, LEADS & EXCITERS

Champion Aerospace, Inc. ("Champion") warrants that spark plugs, harnesses, oil filter, exciters, leads and igniters sold by it are, at the time of delivery, free from defects in material and workmanship, provided that no warranty is made with respect to:

- (a) any product that has been subject to negligence, accident or improper storage;
- (b) any product that has been improperly installed or maintained; or
- (c) any product that has been operated beyond normal or recommended replacement intervals or wear limits.

Champion's obligation under this warranty is limited to the replacement of, or at Champion's option, the return of the purchase price of any product which is returned to Champion or its designated representative (at customer's expense) within one (1) year from the date of purchase and which, upon inspection by Champion, is found by Champion to be defective in material or workmanship. Champion shall not be responsible for the cost of labor removing any defective product or installing any replacement product.

THE AFORESAID WARRANTY IS EXCLUSIVE AND IN LIEU OF ALL OTHER WARRANTIES, WHETHER EXPRESSED, IMPLIED OR STATUTORY, INCLUDING, BUT NOT BY WAY OF LIMITATION, ANY WARRANTY OF MERCHANTABILITY OR FITNESS FOR ANY PARTICULAR PURPOSE.

NOTE: All service tools and test equipment bearing the Champion logo are distributed by Ideal Aviation, Inc. under license from Champion Aerospace, Inc. and are subject to the terms of a separate warranty provided by Ideal Aviation, Inc. All claims in connection with such products should be referred to Ideal Aviation, Inc., 564 E. Juanita Ave., Mesa, AZ 85204.

CHAMPION AEROSPACE, INC. LIMITATION OF LIABILITY

If Champion Aerospace, Inc. ("Champion") breaches any of its obligations to Distributor in connection with the sale of any products to Distributor, whether the breach is one of the warranty or for any cause whatsoever, whether in contract or in tort including negligence, Champion may request the return of the products and tender to Distributor the purchase price theretofore paid by Distributor and, in such event, Champion shall have no further redelivery of the products. If Champion so requests the return of the products, Distributor shall redeliver the products to Champion in accordance with Champion's instructions at Champion's expense. THE REMEDIES PROVIDED HEREIN AND IN CHAMPION'S WARRANTY SHALL CONSTITUTE THE SOLE RECOURSE OF DISTRIBUTOR AGAINST CHAMPION FOR BREACH OF ANY OF CHAMPION'S OBLIGATIONS IN CONNECTION WITH THE SALE OF ANY PRODUCTS TO DISTRIBUTOR, WHETHER THE CLAIM IS MADE IN TORT OR IN CONTRACT, INCLUDING CLAIMS BASED ON WARRANTY, NEGLIGENCE, STRICT LIABILITY, DECEIT FRAUD, MISREPRESENTATION OR OTHERWISE.

IN NO EVENT SHALL CHAMPION BE LIABLE FOR SPECIAL, INDIRECT, INCIDENTAL OR CONSEQUENTIAL DAMAGES (REGARDLESS OF THE FORM OF ACTION, WHETHER IN CONTRACT OR IN TORT INCLUDING NEGLIGENCE) NOR LOST PROFITS, NOR SHALL CHAMPION'S LIABILITY FOR ANY CLAIMS OR DAMAGE ARISING OUT OF OR CONNECTED WITH THE MANUFACTURE, SALE, DELIVERY OR USE OF ANY PRODUCTS EXCEED THE PURCHASE PRICE OF THE PRODUCTS.

Warranty Terminology

The following serves as a basic explanation of some of the terms used in the Champion warranty. In no event does the following amend or expand Champion's warranty. Furthermore, paragraph 3 through 9 lists several examples which are in no way exclusive to any other scenario.

1. Defect in Material. Defect in the materials used in the product. Examples: a defect in the metal used in this product.
2. Defect in Workmanship. Defect in the workmanship involved in the direct manufacture of the product.
3. Negligence. Any type of mishandling or unreasonable handling of the product or handling of the product which results in damage.
4. Accident. An event beyond the reasonable control of the person involved.
5. Improper Storage. Storage in any environment or location which may cause damage. Example: storage of the product outside of the protective poly tubes.
6. Improperly Installed. Installation not in strict accordance with Champion's specifications. Example: the use of pliers instead of an approved wrench to tighten the product. Example: the installation of the product of an unapproved application.
7. Improperly Maintained. Maintenance not in strict accordance with Champion's specifications. Example: the failure to inspect or replace at the specified or proper time (hours or cycles).
8. Operated Beyond Normal or Recommended Replacement Intervals. Operation beyond normal replacement levels. Example: the continued operation of an igniter at 401 cycles if it requires, by use or specification, replacement at 400 cycles.
9. Operated Beyond Normal or Recommended Wear Limits. Operation beyond normal wear or recommended limits. Example: the continued operation of an igniter 8.34 mm if, by use or specification, it has a maximum ground electrode (shell) erosion limit of 8.33 mm (.328 in.).

Any igniter that has been subjected to:

Negligence	Improper Maintenance
Accident	Operated Beyond Replacement Interval
Improper Storage	Operated Beyond Wear Limits (collectively, the "Factors")
Improper Installation	

... is beyond warranty coverage. Champion is in no way responsible for ascertaining the presence of any of the above factors; instead, the party to whom Champion extends the warranty is responsible to insure that the above factors do not exist.

If an igniter is replaced during troubleshooting and Champion finds the igniter to be serviceable per the approved Component Maintenance Manual or Igniter Technical Notice and Champion notes no material or workmanship defect during the investigation, or notes or discovers the existence of one or more of the Factors, Champion will not allow warranty replacement or credit.

If Champion notes a material or workmanship defect at the warranty investigation and notes that no Factors exist, a replacement or credit will be issued in accordance with the Champion Aerospace, Inc. Warranty Statement.

For Technical Assistance Contact:
Champion Aerospace, Inc.
Product Support/Technical Services
1230 Old Norris Road Liberty, SC 29657
864-843-5400
Email: support@champaero.com



Champion Aerospace, Inc.

Committed to the Aviation Industry

Our investment in aviation extends far beyond the manufacture and sale of spark plugs, filters, leads, exciters, and igniters. We actively support the industry groups shown here through direct and associate memberships.



Aviation Distributors & Manufacturers Association



Professional Aviation Maintenance Association



National Business Aircraft Association, Inc.

Distributed by:



REVISED JANUARY 2007

PRINTED IN THE USA
090610